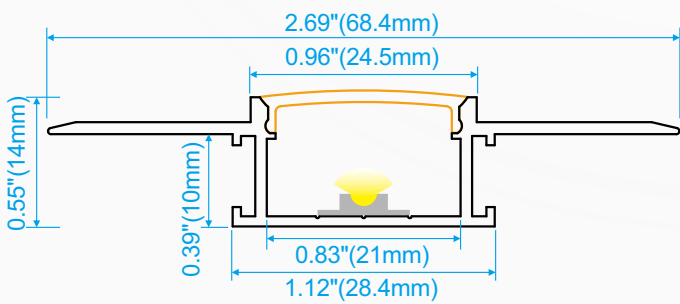
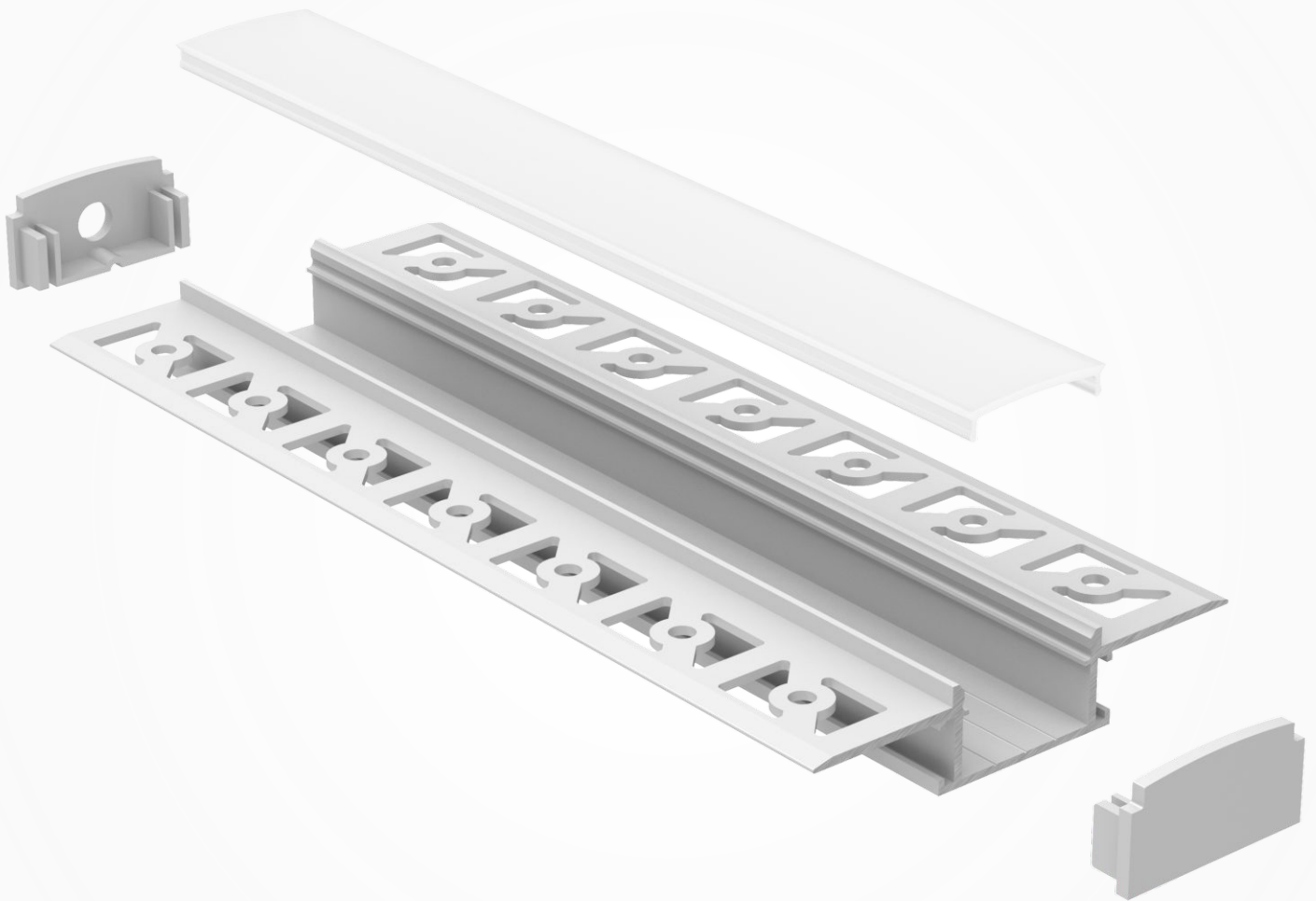


XD2114TR

68x14mm
ALUMINUM PROFILE

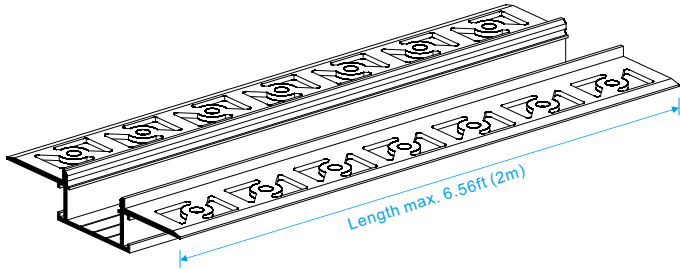


XD2114TR | 68x14mm

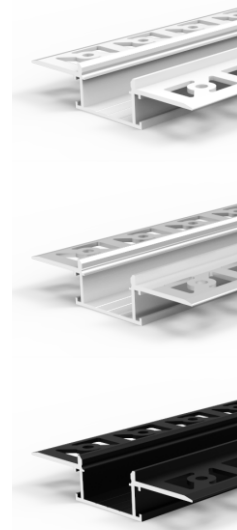
ALUMINUM PROFILE




ALUMINUM PROFILE



- ◆ 6063 T5 Anodised aluminium
- ◆ Heat Sink and physical protection to the LEDs
- ◆ Suitable for Max. 20mm width LED flexible strips
- ◆ Available length 2m



 Powder Coat White

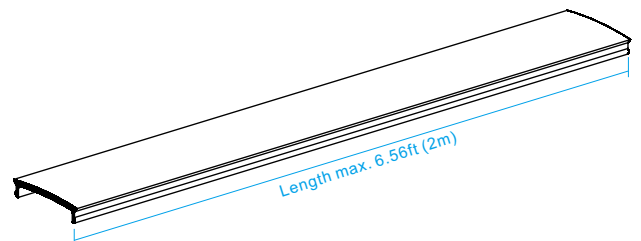
 Silver Anodized
* standard color

 Black Anodized

DIFFUSER

This opal polycarbonate diffuser is made from premium quality material enabling up to 86% light transmission. It provides LED protection and reduces visual LED light points

Color	Opal
Material	PC
Working Temperature	-50°C ~ 100°C
Light Transmission	86%
Coefficient Diffusion	Medium
Method of Assembly	Push in



Polycarbonate Diffuser
1. Clear
2. Opal (standard)
3. Matt Black

INSTALLATION GUIDE

