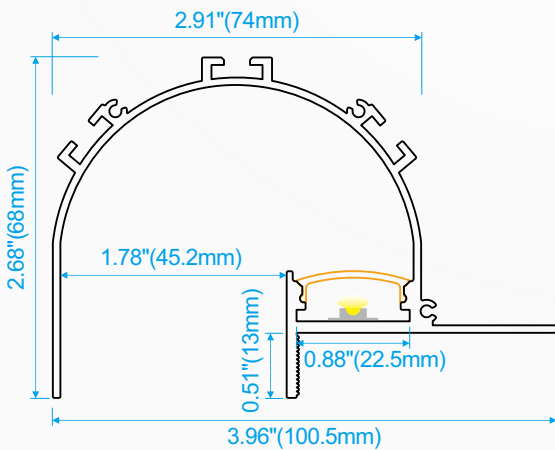
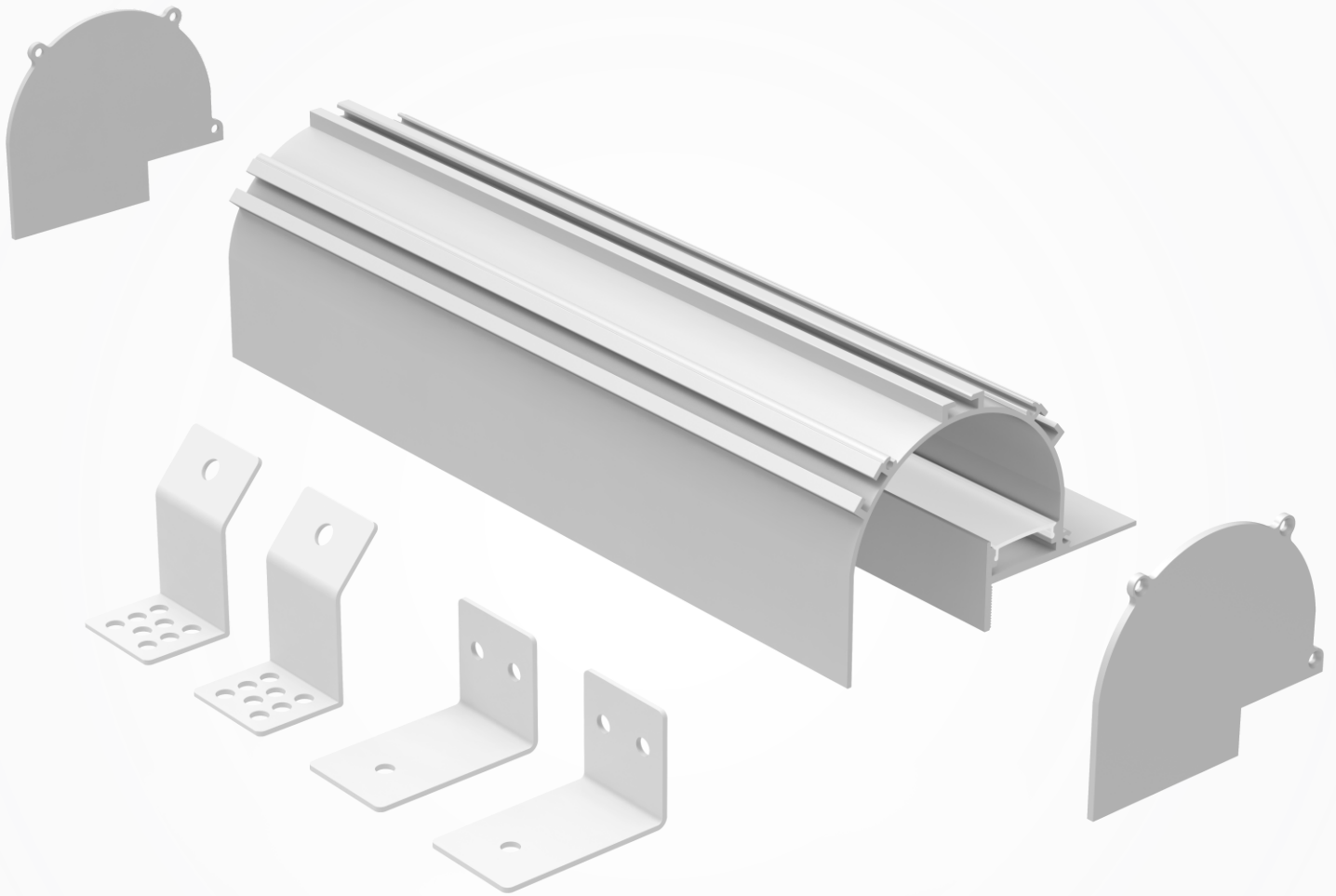


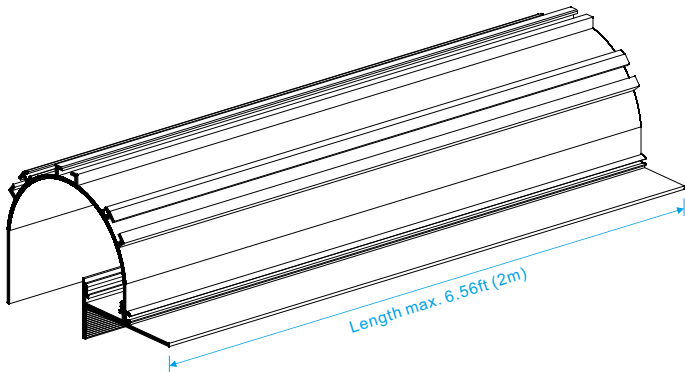
COVE101

ALUMINUM PROFILE

100x68mm



ALUMINUM PROFILE



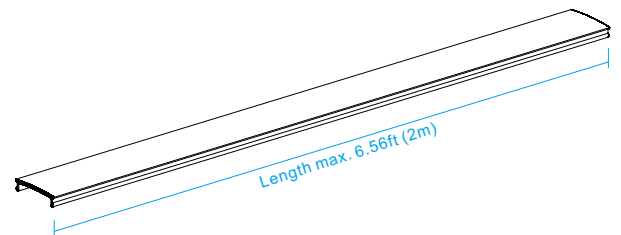
- ◆ 6063 T5 Anodised aluminium
- ◆ Heat Sink and physical protection to the LEDs
- ◆ Suitable for Max. 20mm width LED flexible strips
- ◆ Available length 2m



DIFFUSER

This opal polycarbonate diffuser is made from premium quality material enabling up to 86% light transmission. It provides LED protection and reduces visual LED light points

Color	Opal
Material	PC
Working Temperature	-50°C ~ 100°C
Light Transmission	86%
Coefficient Diffusion	Medium
Method of Assembly	Push in

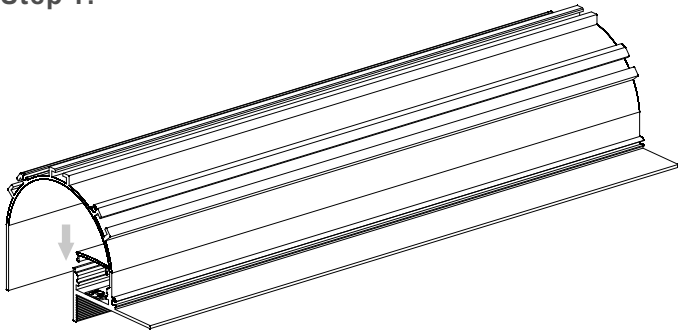


- Polycarbonate Diffuser**
1. Clear
 2. Opal (standard)
 3. Matt Black

INSTALLATION GUIDE

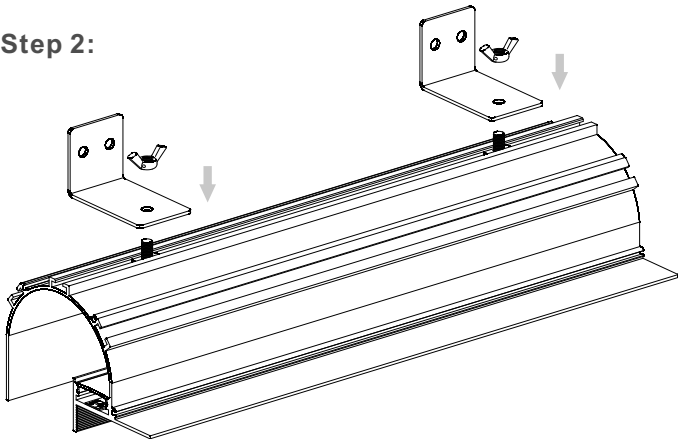
METHOD 1 - MOUNTING WITH 90 DEGREE CLIPS

Step 1:



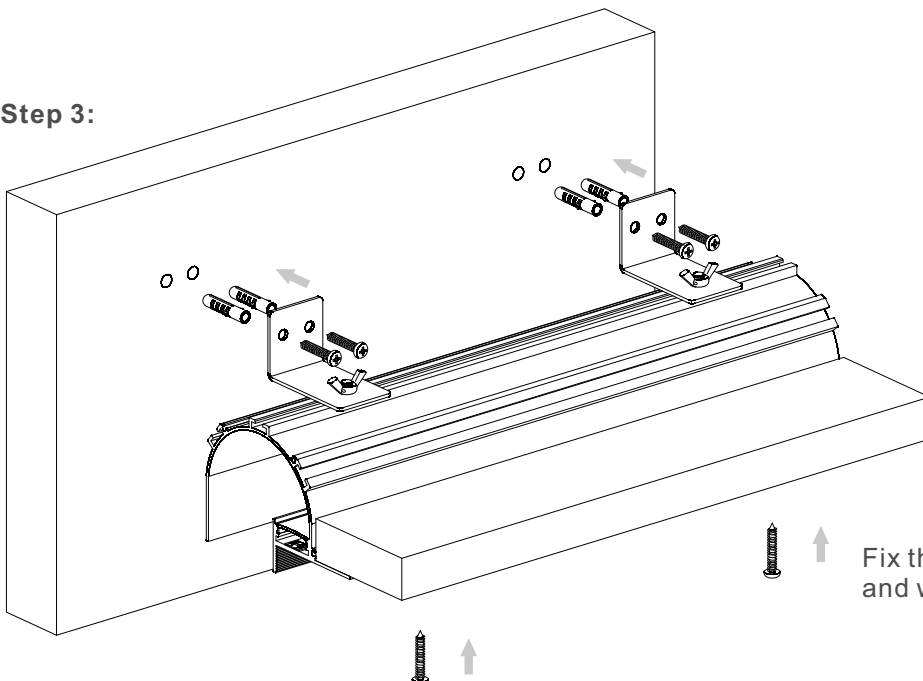
Stick led strips into the aluminum profile and Push the diffuser inside

Step 2:



Fix the clips on aluminum profile

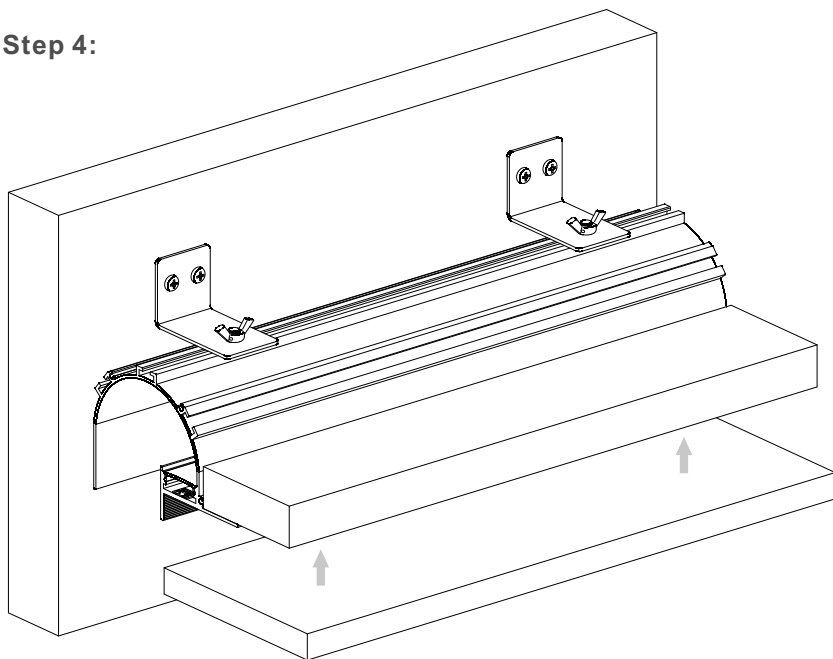
Step 3:



Fix the clips with aluminum profiles on the wall and wood frame.

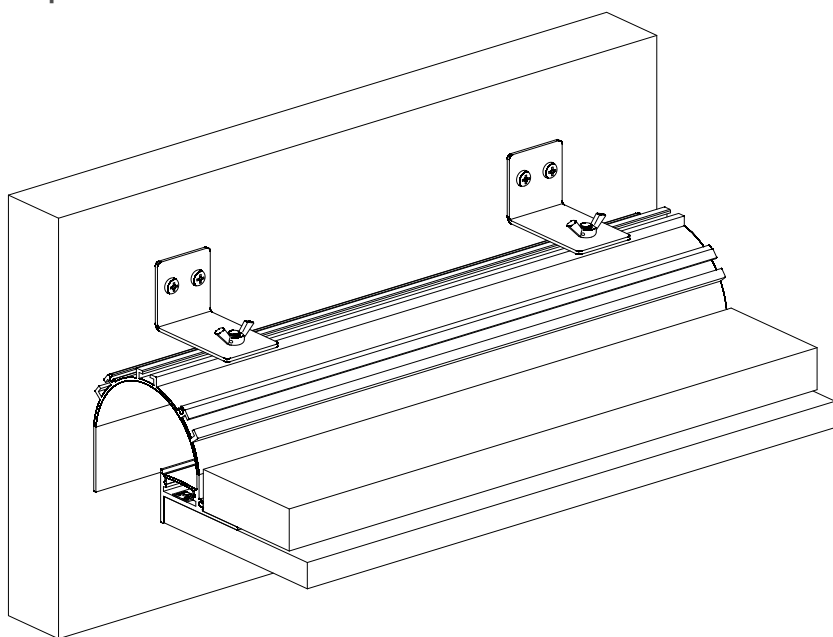
INSTALLATION GUIDE

Step 4:



Fix the ceiling plasterboard

Step 5:

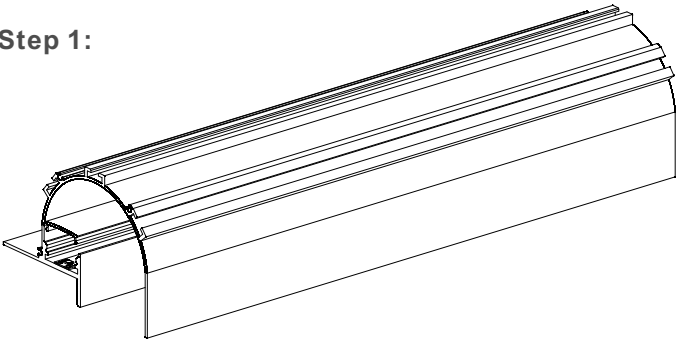


Paint the plaster and lacquer

INSTALLATION GUIDE

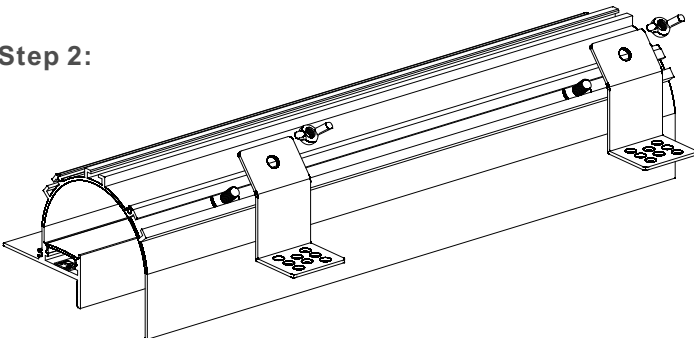
METHOD 2 - MOUNTING WITH 120 DEGREE CLIPS

Step 1:



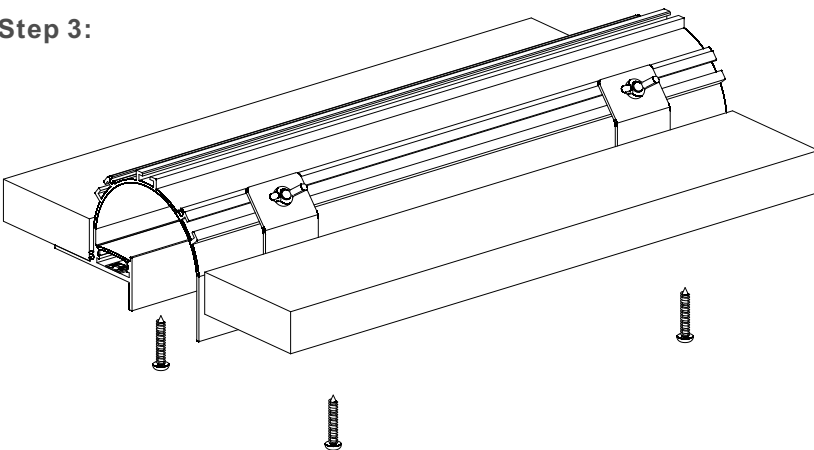
Stick led strips into the aluminum profile and
Push the diffuser inside

Step 2:



Fix the clips on aluminum profile

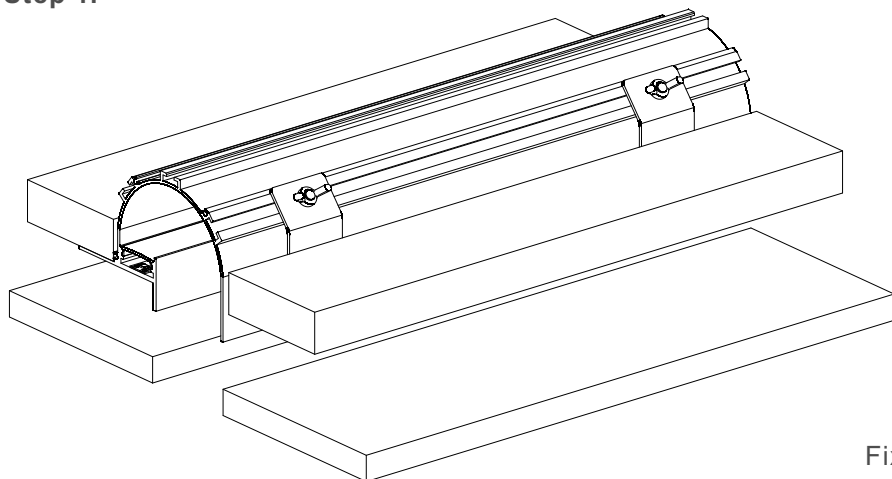
Step 3:



Fix the clips with aluminum profiles
on wood frame.

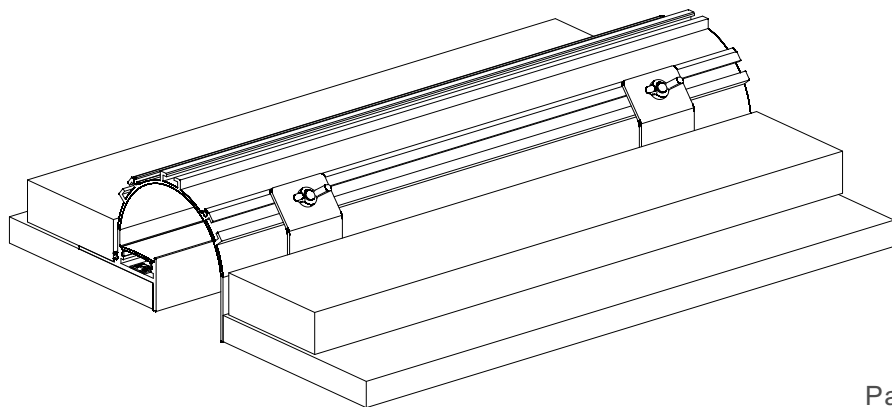
INSTALLATION GUIDE

Step 4:



Fix the ceiling plasterboard

Step 5:



Paint the plaster and lacquer