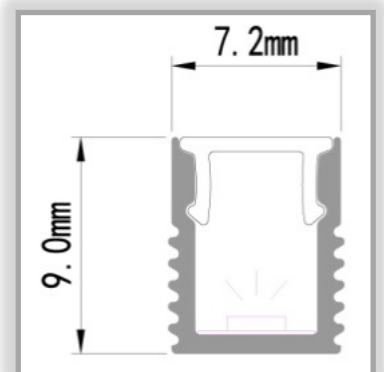
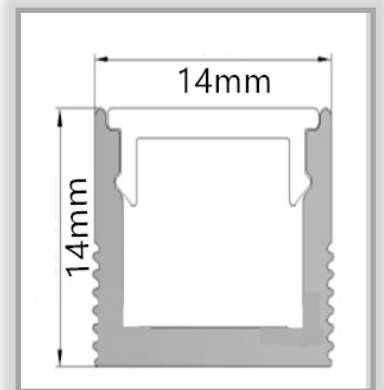




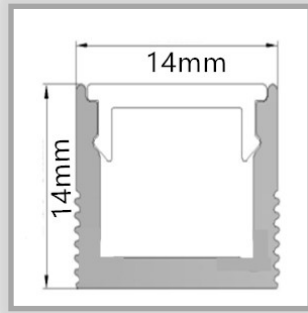
- Jarrah ROUND handrail*
- Diameter 38mm/43mm/50mm
- Length: sold per metre
- Cut-out: 08x09 or 15x15
- LED Profile 0709 or 1414
- LED strip 4.8w, 7.7w, 9.6w, 12w, 15w @ 24v DC
- Lightrail Albion and Chifley brackets
- Componentry supplied separately
- Cutting and assembly on site

*Available in American Oak, Spotted Gum, Jarrah, Victorian Ash, Meranti, Pine, Kwila, Blackbutt





+



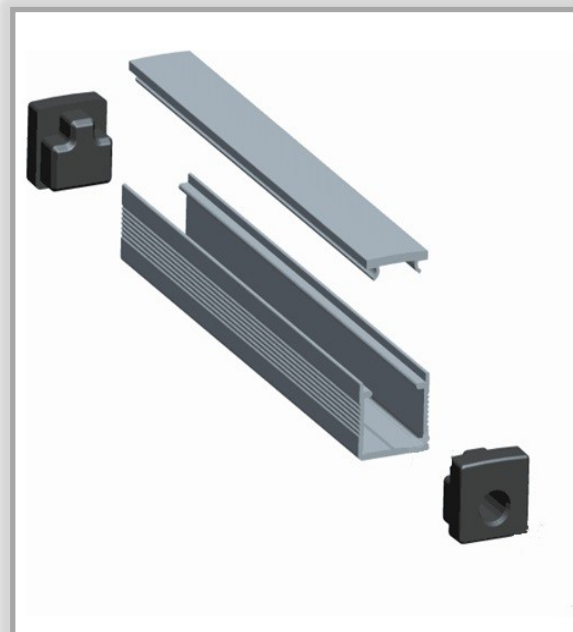
+



THJAFR WITH 1414 LED PROFILE + STRIP OPTIONS BELOW

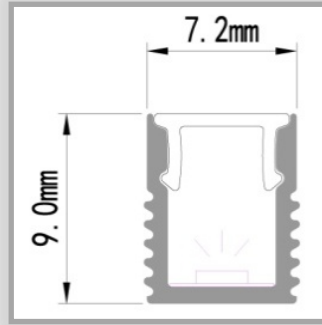
CODE	V	W	LED/m	COL TEMP	Approx LUMEN/M	MAX LENGTH
DKB120.96.27K	24	9.6	120	2700K	750	25m
DKB120.96.3K	24	9.6	120	3000K	780	25m
DKB120.96.4K	24	9.6	120	4000K	800	25m
DKB120.96.6K	24	9.6	120	6500K	820	25m

MAX LENGTH REFERS TO STRIP LENGTH POWERED FROM ONE END





+



+



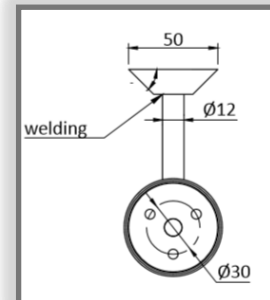
THJAFR WITH 0709 LED PROFILE + STRIP OPTIONS BELOW

CODE	V	W	LED/m	COL TEMP	Approx LUMEN/M	MAX LENGTH
MP120WW3K	24	7.7	120	3000K		8m
MP120CW4K	24	7.7	120	4000K		8m

MAX LENGTH REFERS TO STRIP LENGTH POWERED FROM ONE END

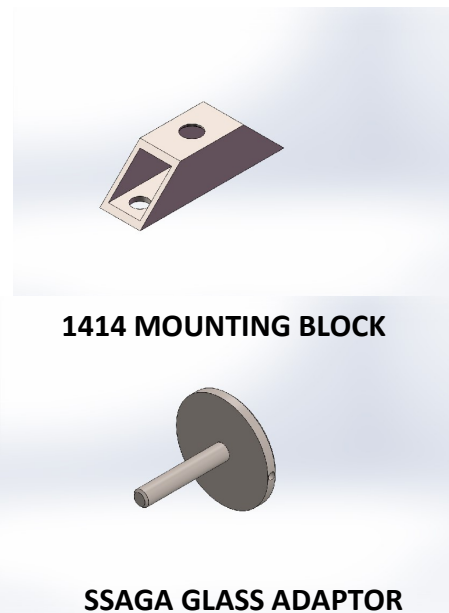
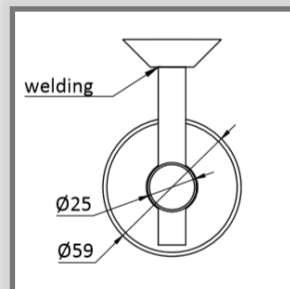
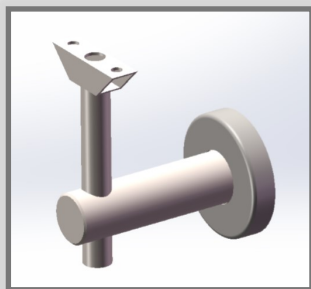


LIGHTRAIL ALBION BRACKETS



CODE	
SSABS	ALBION BRACKET SOLID
SSABH	ALBION BRACKET HOLLOW

LIGHTRAIL CHIFLEY BRACKETS



CODE	
SSCBS	CHIFLEY BRACKET SOLID
SSCBH	CHIFLEY BRACKET HOLLOW