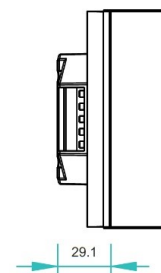
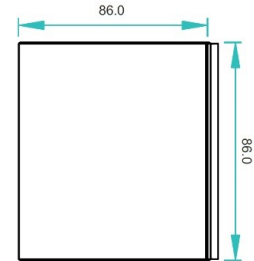




# RF RGBW Wall Mounted Controller SR-2820



## RF RGBW WALL MOUNTED CONTROLLER

- The SR2820(w) is a wall mounted RGBW RF controller with ultra-sensitive glass touch wheel to adjust colour tone quickly and accurately.
- Each controller can control up to 4 zones separately or synchronously with endless SR1009EA receivers in each zone.
- There are 10 built in changing patterns with pause function when played.
- Scene saving function is available and 4 scenes can be saved for each zone.

## Related products

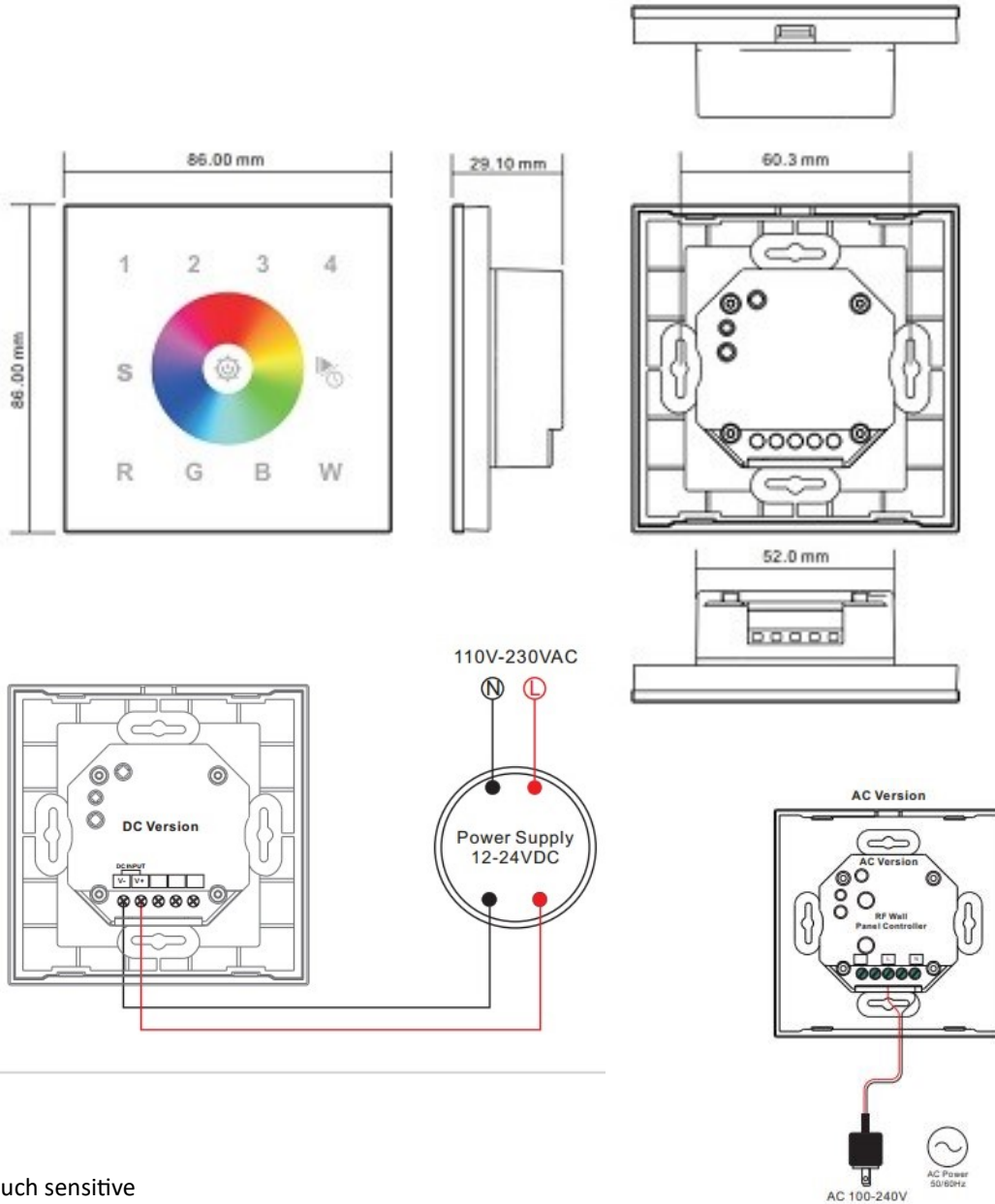


SR 1009E RGBW Receiver

Code	Operation Voltage	Power Consumption	Operation Frequency	Dimensions (mm)	Remarks
SR2820	12 - 24VDC	200 mA	434MHz/868MHz	86 x 86 x 41	RF signal



# RF RGBW Wall Mounted Controller SR-2820



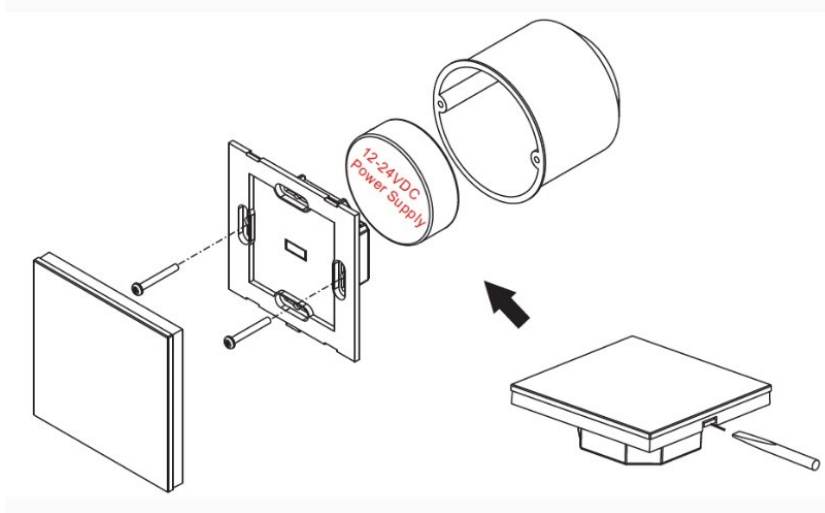
- Touch sensitive
- Glass interface (white & black)
- Compatible with all universal series RF receivers
- Control RGBW colour
- Control 4 zones synchronously and separately
- IP rating: IP20

**Safety & Warnings** DO NOT install with power applied to device. • DO NOT expose the device to moisture.

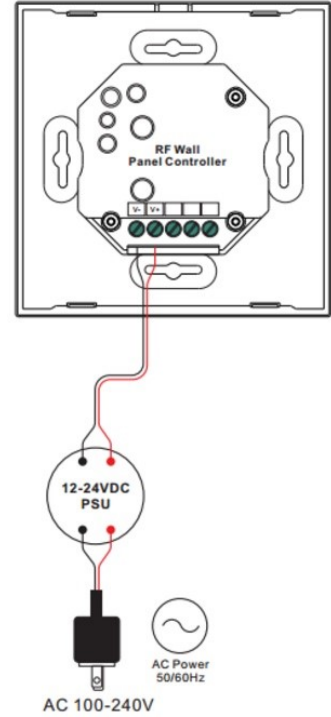


# RF RGBW Wall Mounted Controller SR-2820 W

## Instructions



Wiring diagram



**Important:** Read All Instructions Prior to Installation

### Function introduction

