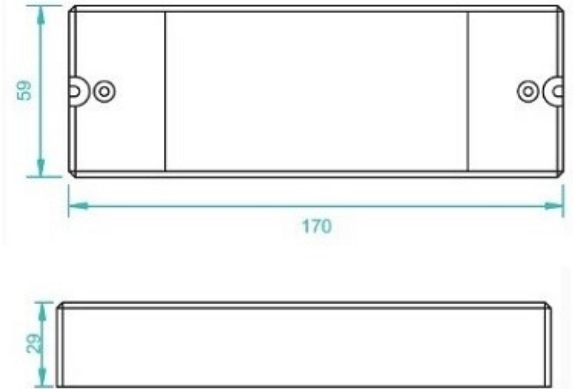




The SR-1009EA RF receiver is a 4 channel constant voltage LED controller available compatible with SR2820(W) wall controller and SR2819S RF remote to control, RGB and RGBW LED lighting.

- RF receiver, 12-36VDC, constant voltage
- 4channels, 8A per channel, 12V@384W,24V@768W,36V@1152W
- (868MHZ/ 434MHZ/ 916 MHZ)
- 5 years warranty
- CE/RHOS/ UL
- Pairs with Wall Controller & Remote



Related products

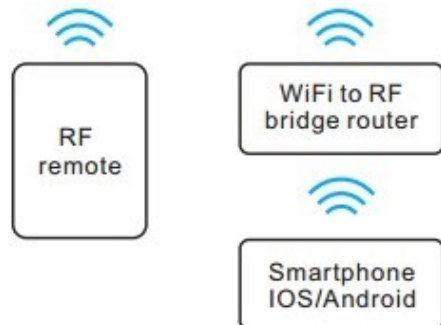
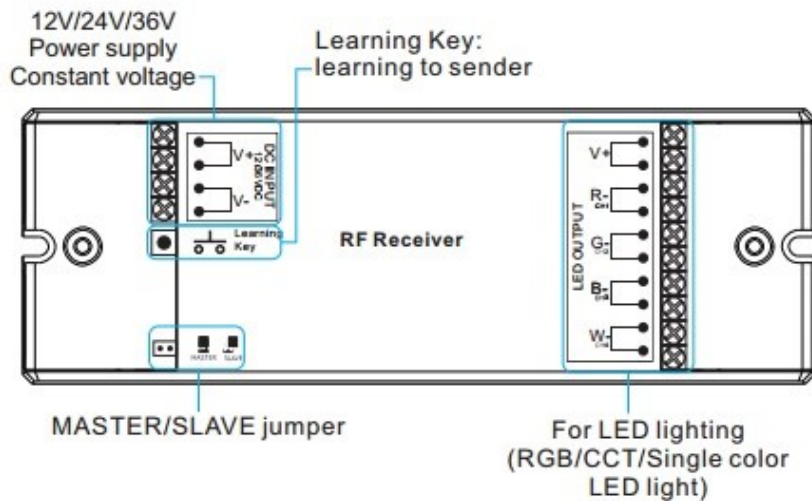
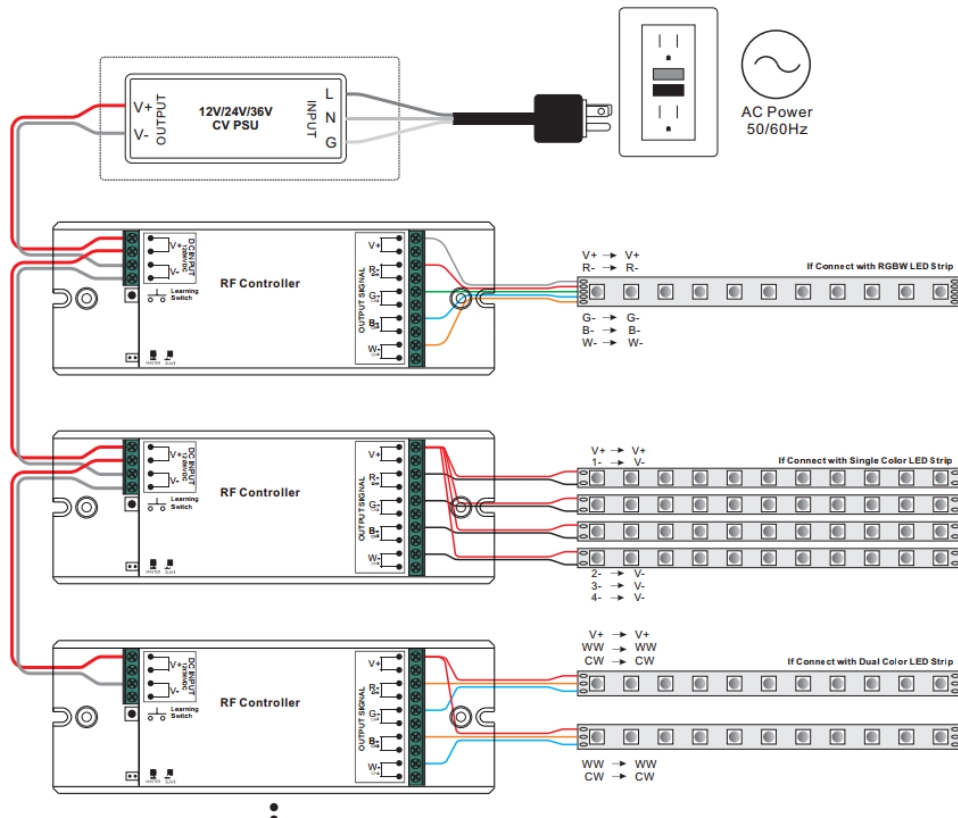


SR 2820 RGB Wall Controller
SR 2819S RGB LED Remote

Code	Input Voltage	Current	Output	Remarks
SR1009EA	12-36V DC	4 x 8A	4x(96-288)W	Constant voltage

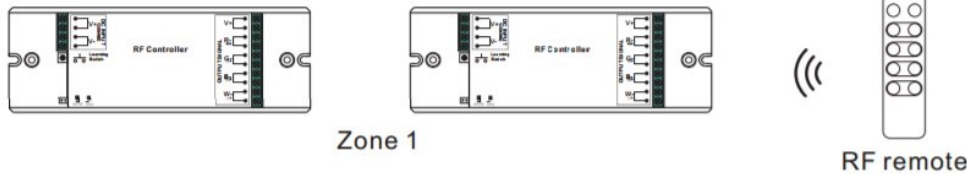


Universal series RGBW Controller SR-1009EA

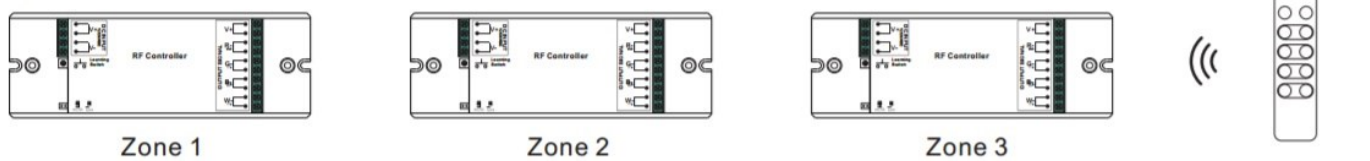


If you use multiple receivers, you have two choices:

Option 1: have all the receivers in the same zone, like zone 1



Option 2: have each receiver in a different zone, like zone 1, 2, 3 or 4



Instructions

1. Pair RF Receiver with RF remote
2. Connect and wire up the RF receiver correctly, power on
3. Turn on the remote
4. Click the “Learning Key” button on receiver
5. Immediately click zone number then touch colour wheel on remote. The connected led light on receiver flickers twice, means correctly paired. Note: one receiver can be paired with max 8 remote controls.
6. Delete the pairing:
7. Wire up the RF receiver correctly, power on
8. Hold the “ Learning Key” button on receiver over 3 seconds until the connected led light on receiver flickers twice, means well deleted.

MASTER/SLAVE jumper: In a group of multiple receivers, in order to get a good sync of RGB running effect, please set only 1 receiver as MASTER, the other receivers as SLAVE. After setting the Master, the Master receiver need to power off and on once to make the Master function take effect.