

The SR2819S is a remote RGBW RF controller with ultra sensitive glass touch wheel to adjust colour tone fast and accurately.

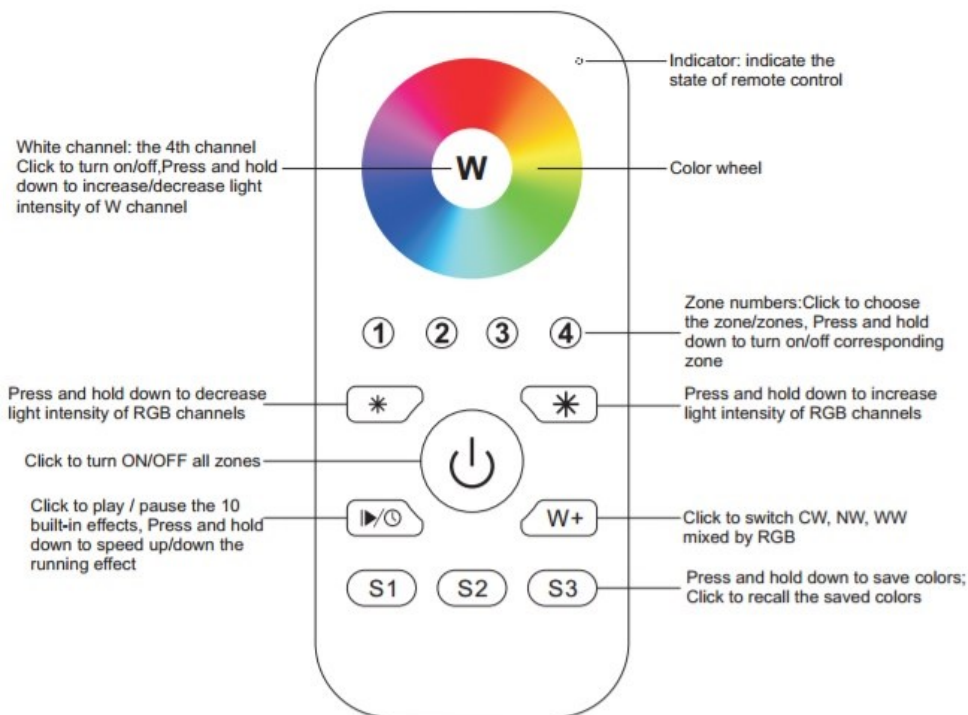
Each controller can control up to 4 zones separately or synchronously with endless receivers in each zone. There are 10 built in changing patterns with pause function when played. Scene saving function is available on 3 scenes

- 4.5VDC, (3*1.5V AAA battery)
- 434MHz/ 868MHz / 916MHz
- 4 zones RGBW RF remote control
- Pairs with SR-1009EA series receiver

Related products

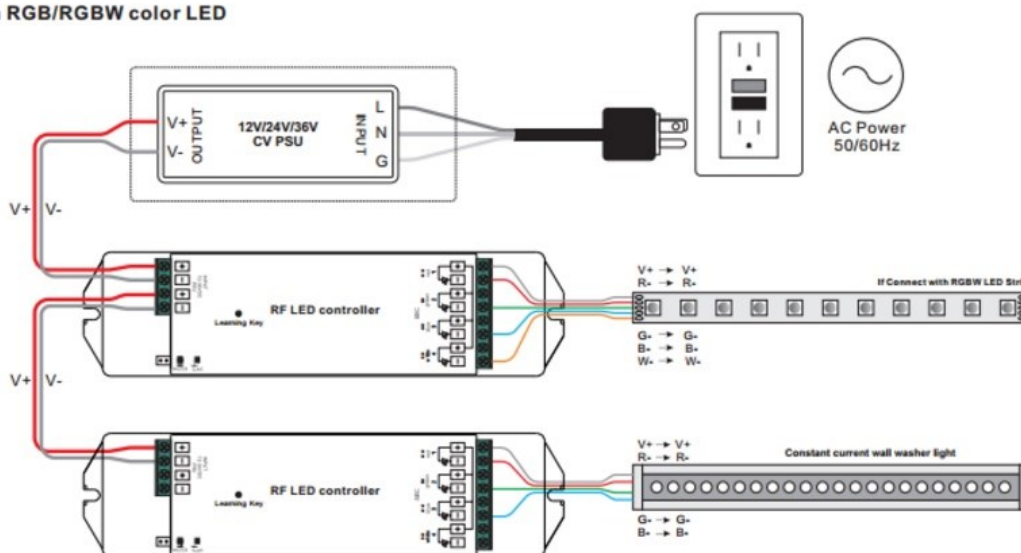


Code	Operation Voltage	Operation frequency	Dimensions	Remarks
SR2819S	4.5VDC (3xAAA battery)	434MHz/868MHz	120 x 55 x 17	RF signal



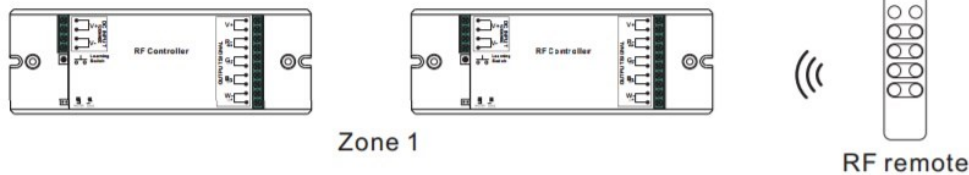
Receiver Wiring Diagram

With RGB/RGBW color LED

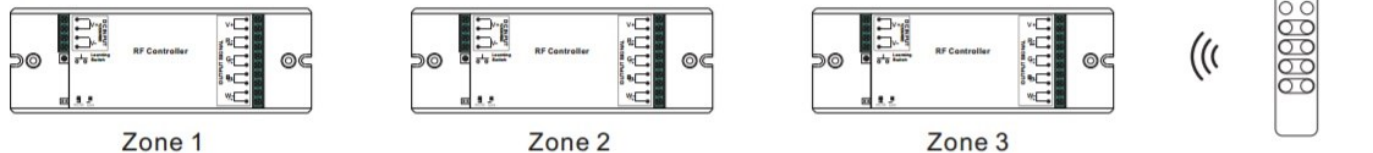


If you use multiple receivers, you have two choices:

Option 1: have all the receivers in the same zone, like zone 1



Option 2: have each receiver in a different zone, like zone 1, 2, 3 or 4



Instructions

Pair RF Receivers

1. Turn on RF remote Operation Click "Learning Key" on RF receiver
2. Click a zone number on RF remote touch colour wheel on RF remote, led lights flicker twice means well paired
3. Play the remote after pairing: Turn on RF remote Click the paired zone number/numbers touch colour wheel or other buttons to do the controlling.
4. How to delete the pairing: Select zone button which we want to call up , then click save button S1,S2,S3.
5. Note : This remote controls 4 zones (areas) receivers, each zone can pair with countless receivers. 1 receiver can be paired by max 8 different remote controls.
6. To save colour/scene: Turn on RF remote Click the paired zone number/numbers select a color from Hold S1/S2/S3 until light flashes.
7. To Save running mode: Turn on RF remote Click the paired zone number/numbers select a moving mode from Hold S1/S2/S3 until light flash twice

