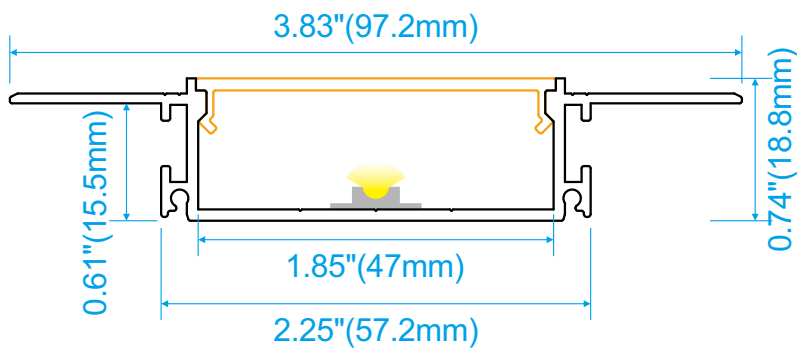
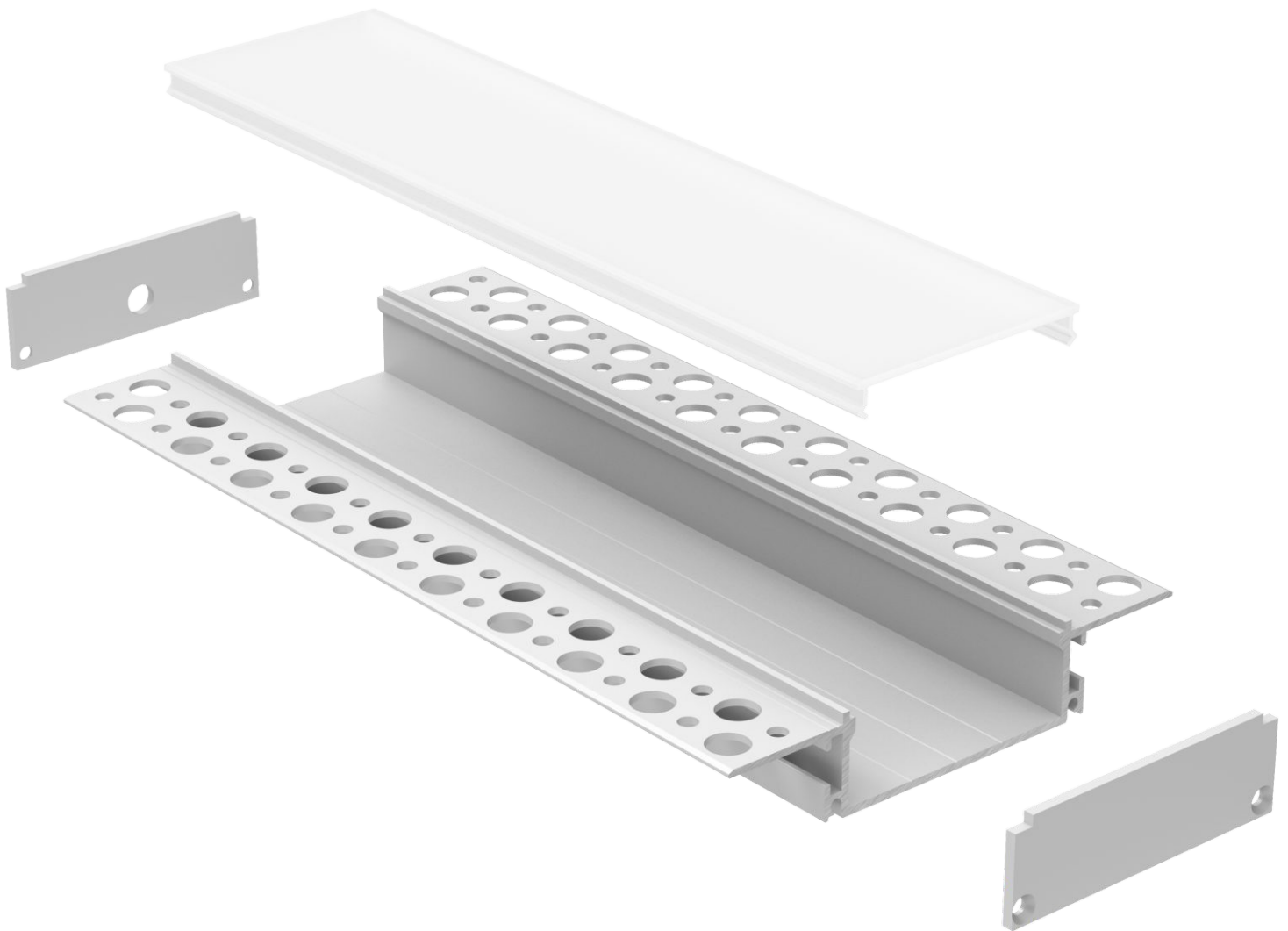


# XD4719TR

ALUMINUM PROFILE

47x19mm

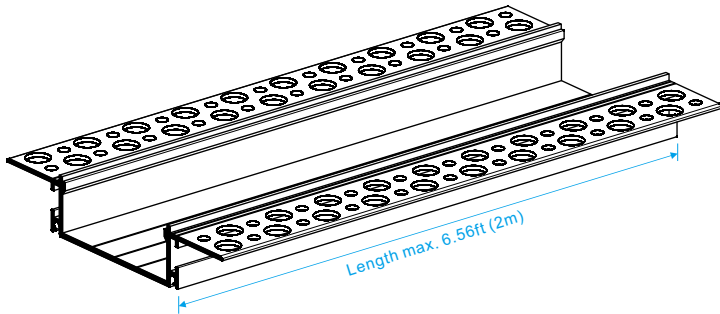


# XD4719TR | 47x19mm

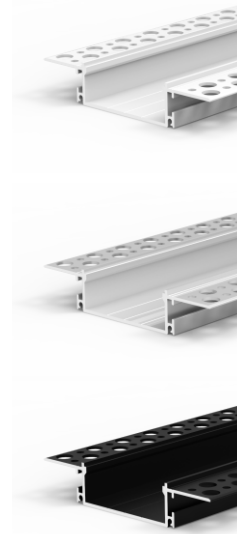
ALUMINUM PROFILE




## ALUMINUM PROFILE



- ◆ 6063 T5 Anodised aluminium
- ◆ Heat Sink and physical protection to the LEDs
- ◆ Suitable for Max. 46mm width LED flexible strips
- ◆ Available length 2m



 Powder Coat White

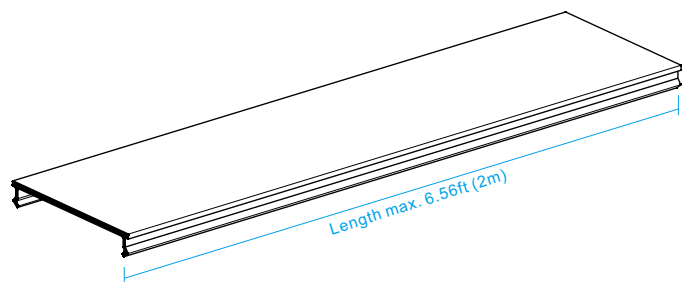
 Silver Anodized  
\* standard color

 Black Anodized

## DIFFUSER

This opal polycarbonate diffuser is made from premium quality material enabling up to 86% light transmission. It provides LED protection and reduces visual LED light points

Color	Opal
Material	PC
Working Temperature	-50°C ~ 100°C
Light Transmission	86%
Coefficient Diffusion	Medium
Method of Assembly	Push in



**Polycarbonate Diffuser**  
1. Clear  
2. Opal (standard)  
3. Matt Black

## INSTALLATION GUIDE

### METHOD 1

