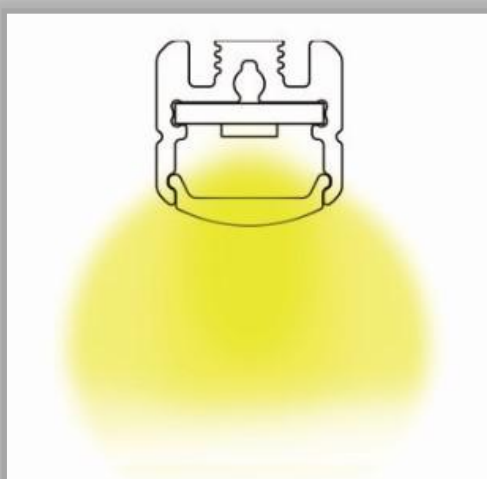
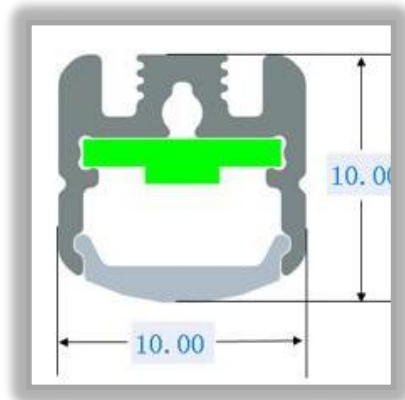
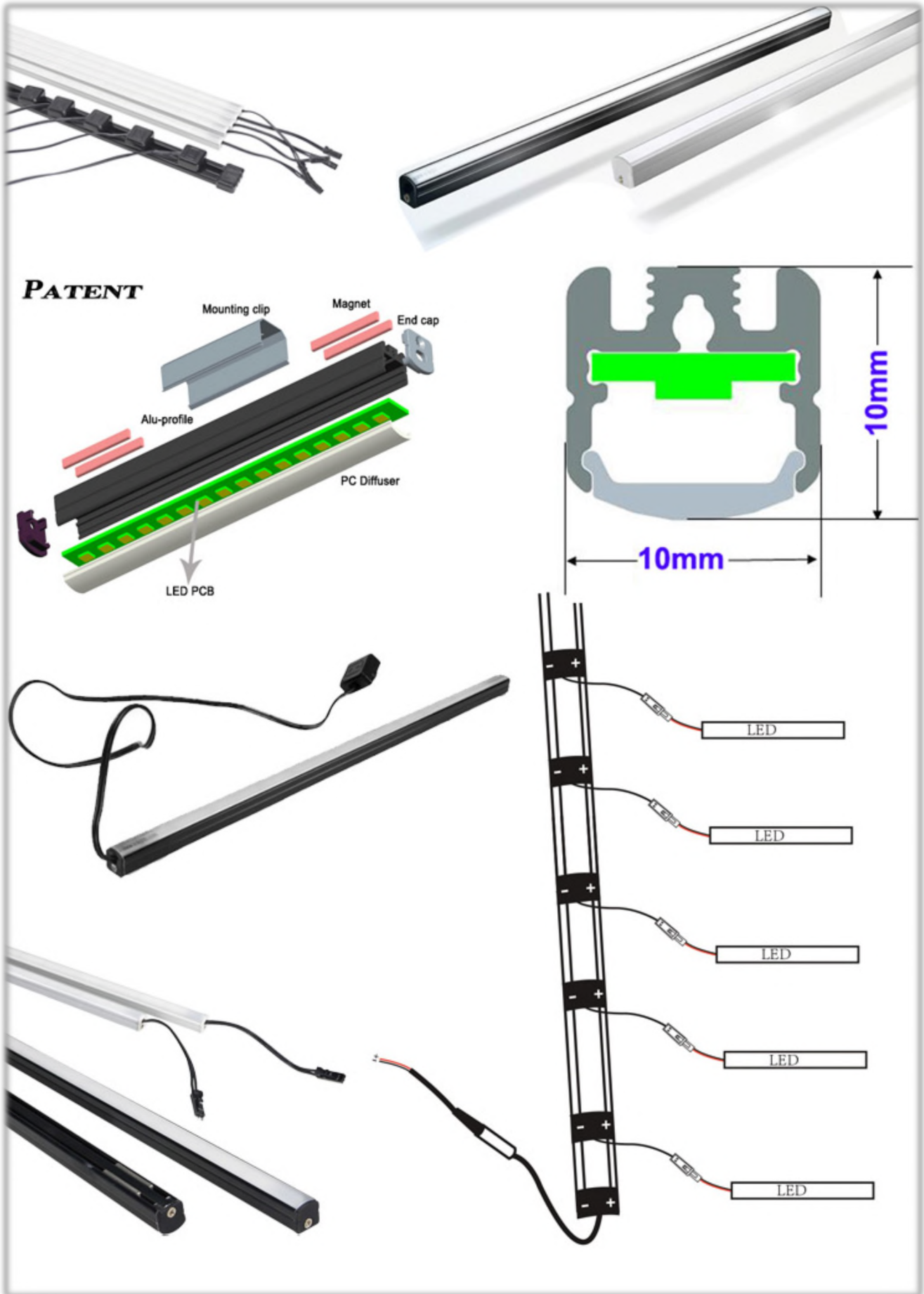
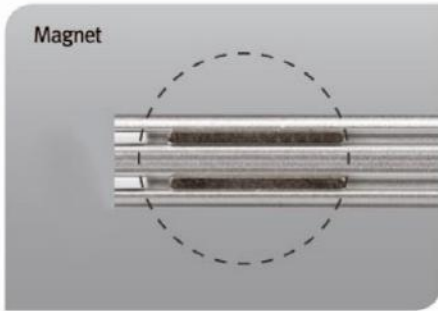




- Super slim linear LED profile
- Hi output LED PCB CRI >90 (see MLB168)
- Magnetic, 3M tape or clip install
- Standard lengths or custom
- Constant voltage 24V DC
- Simple plug together connections
- Use with Lightrail DC power track







Metal shelves



Wooden shelves



Glass shelves

For fixing methods please add to end of code below " M" magnetic; "C" clips; "T" 3m adhesive tape

1200mm

CODE	V	CRI	W	COL TEMP	LUMEN	Run mA	Max mA	LED/m	MAX (m)
1010.1200.930	24	90	12	3000K		23	150	168	10
1010.1200.935	24	90	12	3500K	895	23	150	168	10
1010.1200.940	24	90	12	4000K		23	150	168	10
1010.1200.960	24	90	12	6000K		23	150	168	10

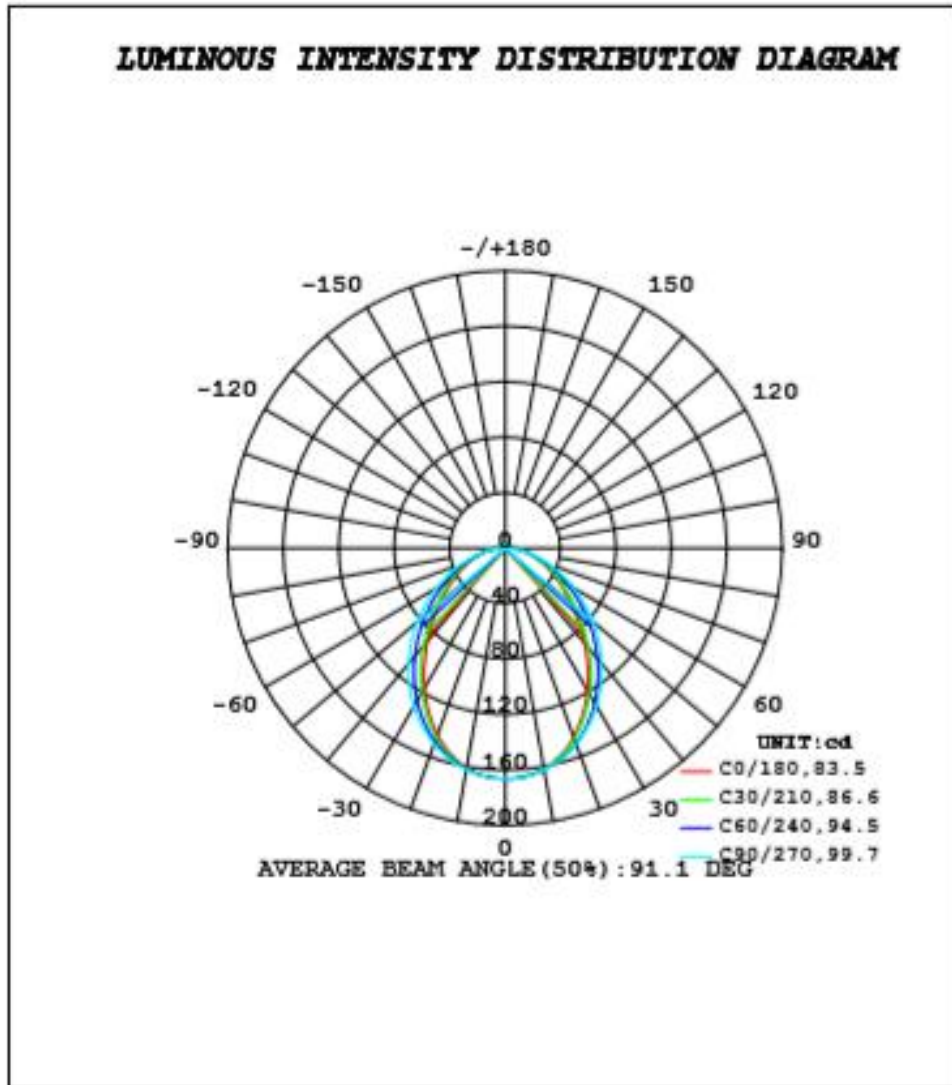
900mm

CODE	V	CRI	W	COL TEMP	LUMEN	Run mA	Max mA	LED/m	MAX (m)
1010.900.930	24	90	9	3000K		23	150	126	10
1010.900.935	24	90	9	3500K	670	23	150	126	10
1010.900.940	24	90	9	4000K		23	150	126	10
1010.900.960	24	90	9	6000K		23	150	126	10

600mm

CODE	V	CRI	W	COL TEMP	LUMEN	Run mA	Max mA	LED/m	MAX (m)
1010.600.930	24	90	6	3000K		23	150	84	10
1010.600.935	24	90	6	3500K	450	23	150	84	10
1010.600.940	24	90	6	4000K		23	150	84	10
1010.600.960	24	90	6	6000K		23	150	84	10





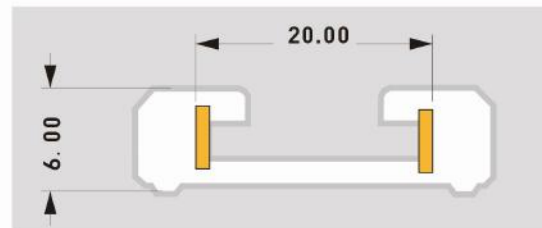
Code: 1010-035-935-24

DATA OF LAMP		PHOTOMETRIC DATA			
		Eff: 66.99 lm/W			
MODEL		I _{max} (cd)	166.3	S/MH (C0/180)	1.08
NOMINAL POWER (W)	5.9	LOR (%)	100.0	S/MH (C90/270)	1.19
RATED VOLTAGE (V)	24	TOTAL FLUX (lm)	395.23	η UP, DN (C0-180)	1.7, 48.1
NOMINAL FLUX (lm)	395.226	CIE CLASS	DIRECT	η UP, DN (C180-360)	1.8, 48.3
LAMPS INSIDE	1	η up (%)	3.6	CIBSE SHR NOM	1.25
TEST VOLTAGE (V)	24	η down (%)	96.4	CIBSE SHR MAX	1.25

DC POWER TRACK



Size:	20x6mm
Length:	2m/1.5m/1m
Max current rate:	20A
Color option:	Black / white / silver / Grey



3 DIFFERENT INSTALLATION



