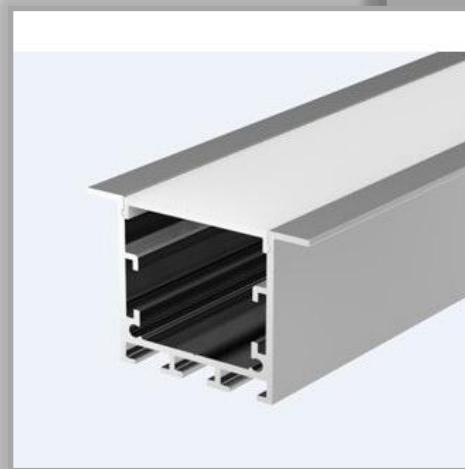
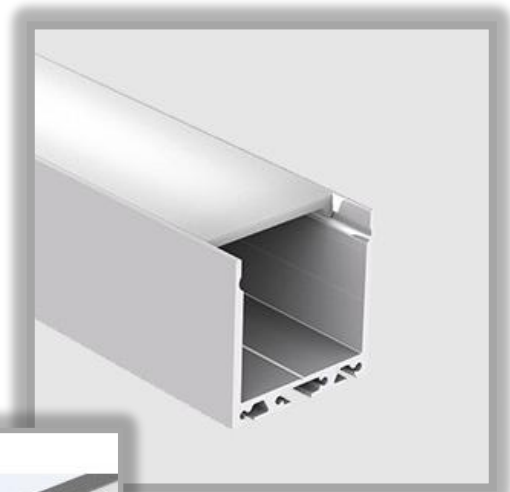




- 5630 Samsung LED
- 24v 28.8w/m
- Pure copper double PCB Board
- Standard rolls 5m or custom
- -30 to +55 Deg working temperature
- Standard supply CRI 80 (available in CRI90)



CODE	V	W	COLOUR	COL TEMP	Approx LUMEN/M	CRI	MAX LENGTH
MD120-3K	24	28.8	WARM	3000K	2800	80	5m
MD120-4K	24	28.8	WARM	4000K	2900	80	5m
MD120-65K	24	28.8	COOL	6500K	3000	80	5m

