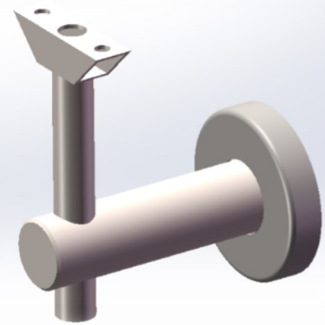
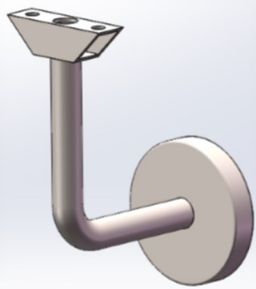
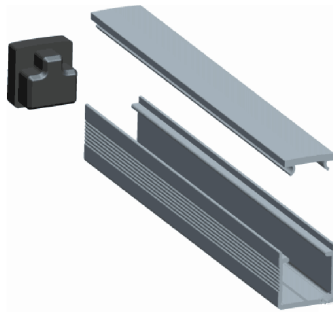
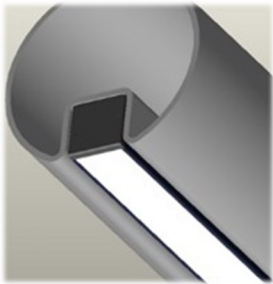




50MM STAINLESS STEEL LED HANDRAIL COMPONENTRY



LIGHTRAIL SS50 COMPONENTRY – 316 STAINLESS STEEL



SS50.6MS Stainless steel slotted tube satin 6m suit Lightrail 1414

SS50.3MS Stainless steel slotted tube satin 3m suit Lightrail 1414



SS50-ECSM Stainless steel slotted end cap satin suit Lightrail SS50



SS50-JS Stainless steel slotted joiner satin suit Lightrail SS50

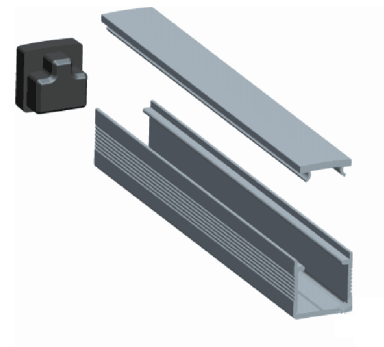
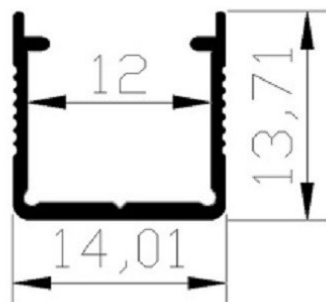


SS50-E90S Stainless steel slotted elbow 90deg suit Lightrail SS50



LIGHTRAIL 1414 LED PROFILE INSERT

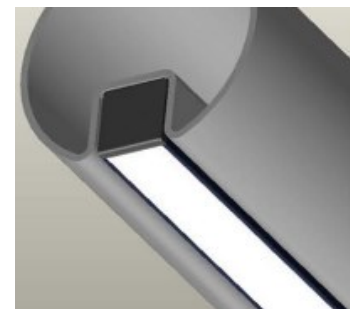
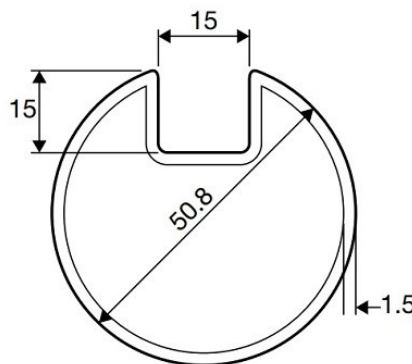
In 2008 the first Lightrail LED handrail system was made from custom aluminium tube. From there the demand for a stainless steel LED handrail began to grow and as a result the Lightrail 1414 LED profile insert was created.



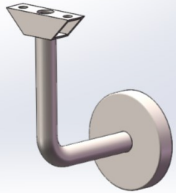
The 1414 is designed to fit inside standard stainless steel tube with a 15x15mm slot which enables the supply of LED handrail as componentry only.

The componentry only option immediately eliminates the need for a specific installation team and allows the builder to use their own contractors which not only reduces costs but also lead times.

This profile can accommodate LED strips with PCB up to 10mm wide, has a vandal resistant polycarbonate diffuser and is rated at IP54 with sealed end caps. When used in conjunction with Lightrail LED strips of 120 LED/m or more, a clean, dot free, continuous lighting effect is achieved.



LIGHTRAIL SS50 COMPONENTRY – BRACKETS



SSABS

Albion bracket solid 316 stainless steel (satin)

SSABH

Albion bracket hollow 316 stainless steel (satin)

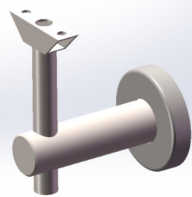


SSABS-MB

Albion bracket solid 316 stainless steel matt black

SSABH-MB

Albion bracket hollow 316 stainless steel matt black

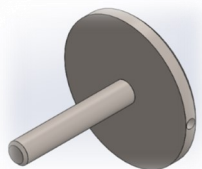


SSCBS

Chifley bracket solid 316 stainless steel (satin)

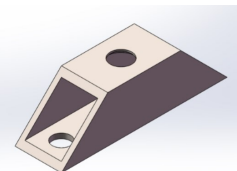
SSCBH

Chifley bracket hollow 316 stainless steel (satin)



SSGACA

Glass adaptor to suit Lightrail Albion and Chifley brackets



1414MB

Mounting block supplied with Albion and Chifley brackets.
also supplied separately if required



SSDBS

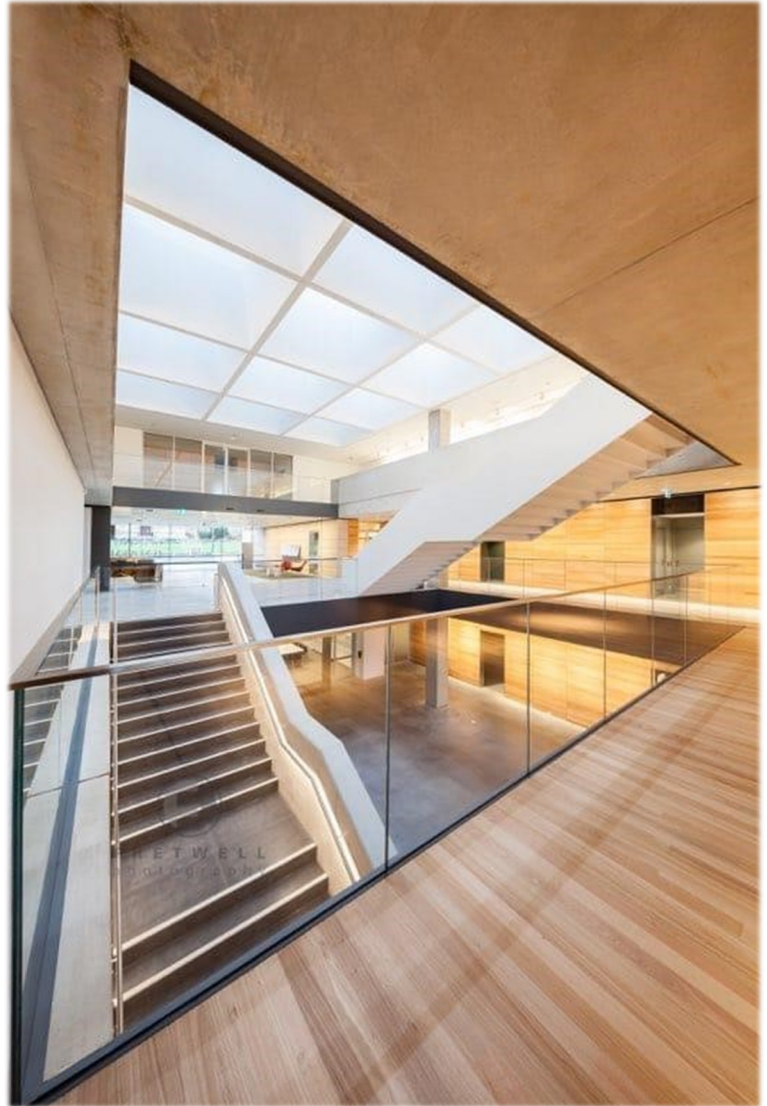
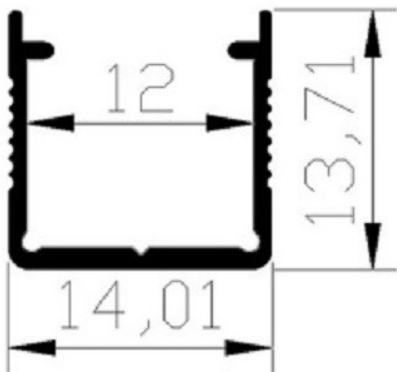
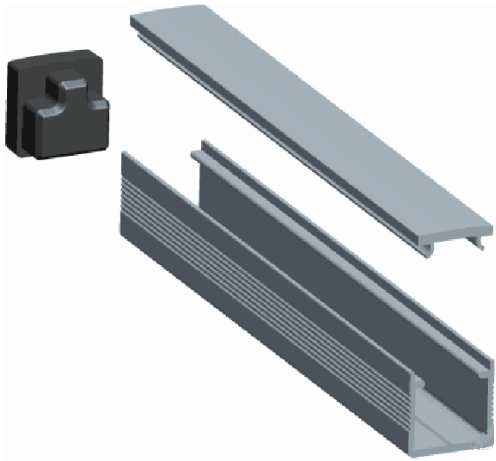
Dalton bracket solid 304 stainless steel (for tilting rail)

SSDBH

Dalton bracket hollow 304 stainless steel (for tilting rail)



LIGHTRAIL SS50 COMPONENTRY – 1414 LED PROFILE

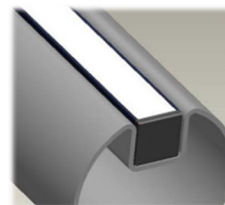


1414OPP25 Lightrail LED profile 14x14x2500mm with opal PC diffuser

1414ECO End cap open suit Lightrail 1414

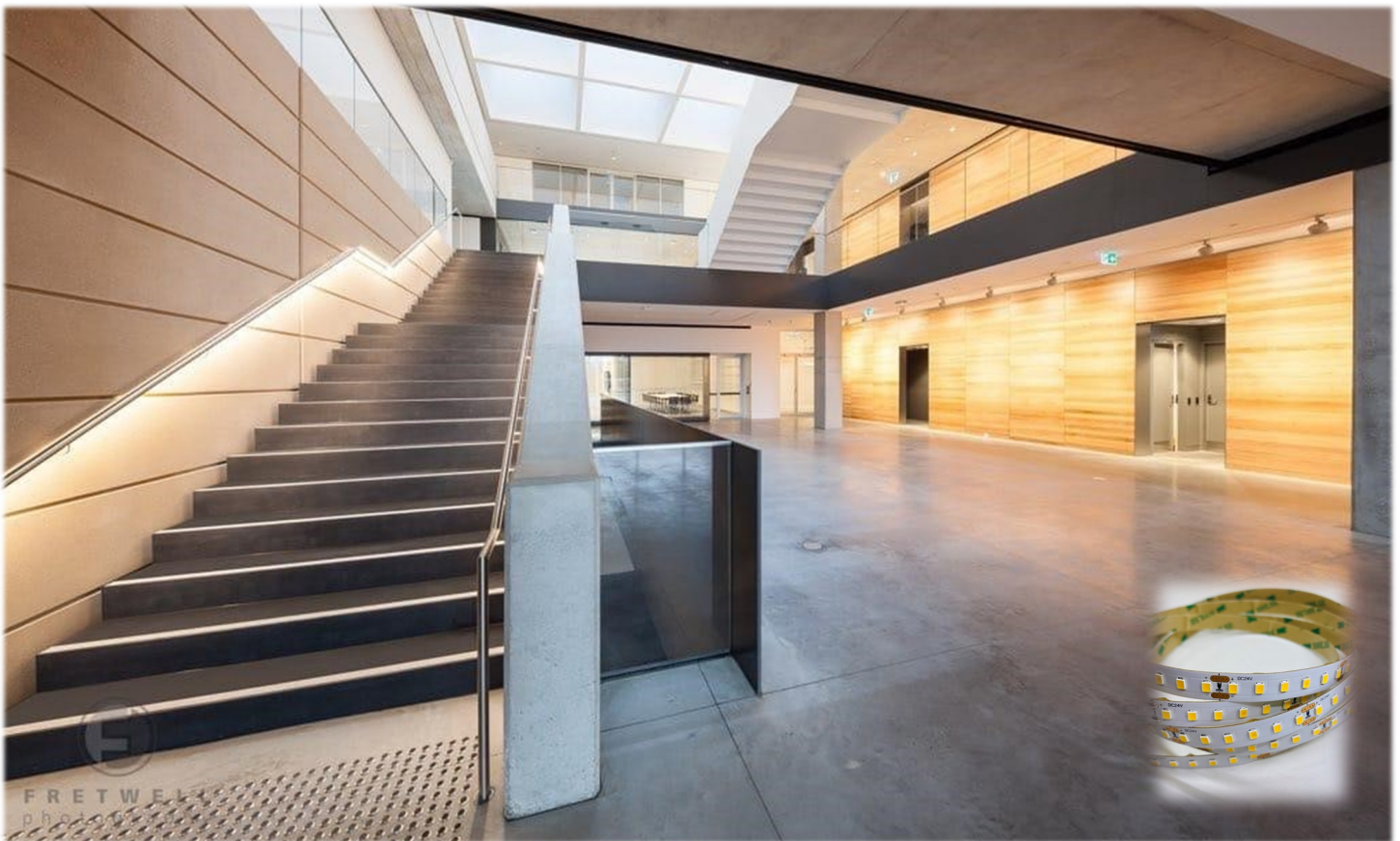
1414ECO End cap closed suit Lightrail 1414

1414DIFF Diffuser only suit Lightrail 1414



SS50 + STB120 24v 15w SAMSUNG IP20 or IP65

For commercial projects you can feel comfortable that the Lightrail Samsung 15w LED strip will provide light levels required with high efficiency of around 125lm/w . Much like the DKB120 9.6w strip, it remains stable with the chip itself only being run at around one third of its capacity which is peace of mind for long operating hours. The IC control integration enables a run of up to 10m powered from one end which reduces the need for LED drivers and power entry points.



| CODE | V | W | LED/m | COL TEMP | STRIP LUMEN/M | MAX LENGTH |
|------------|----|----|-------|----------|---------------|------------|
| STB20-27K | 24 | 15 | 120 | 2700K | 1900 | 10m |
| STB120-3K | 24 | 15 | 120 | 3000K | 1925 | 10m |
| STB120-4K | 24 | 15 | 120 | 4000K | 1950 | 10m |
| STB120-65K | 24 | 15 | 120 | 6500K | 2050 | 10m |

SS50 + DKB120 24v 9.6w IP20 or IP65

For domestic projects the use of DKB120 9.6w LED strip is the perfect choice for a “not too bright “ but “ not too low” light level. This option is also used in commercial applications when the LED handrail is used for effect only or where the handrail is not the primary source of light. This LED strip now has IC control integrated to the LED chip enabling a run of up to 25m powered from one end which reduces the need for LED drivers and power entry points.



| CODE | V | W | LED/m | COL TEMP | STRIP LUMEN/M | MAX LENGTH |
|------------|----|-----|-------|----------|---------------|------------|
| DKB120-27K | 24 | 9.6 | 120 | 2700K | 750 | 25m |
| DKB120-3K | 24 | 9.6 | 120 | 3000K | 780 | 25m |
| DKB120-4K | 24 | 9.6 | 120 | 4000K | 800 | 25m |
| DKB120-65K | 24 | 9.6 | 120 | 6500K | 820 | 25m |

Also available in 4.8w, 12w & 14w. Please refer to separate data sheet for more detail on DKB120