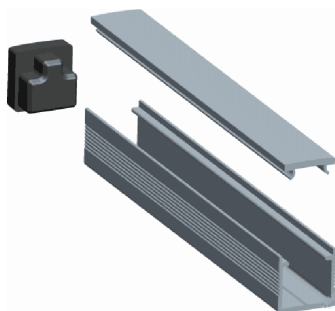
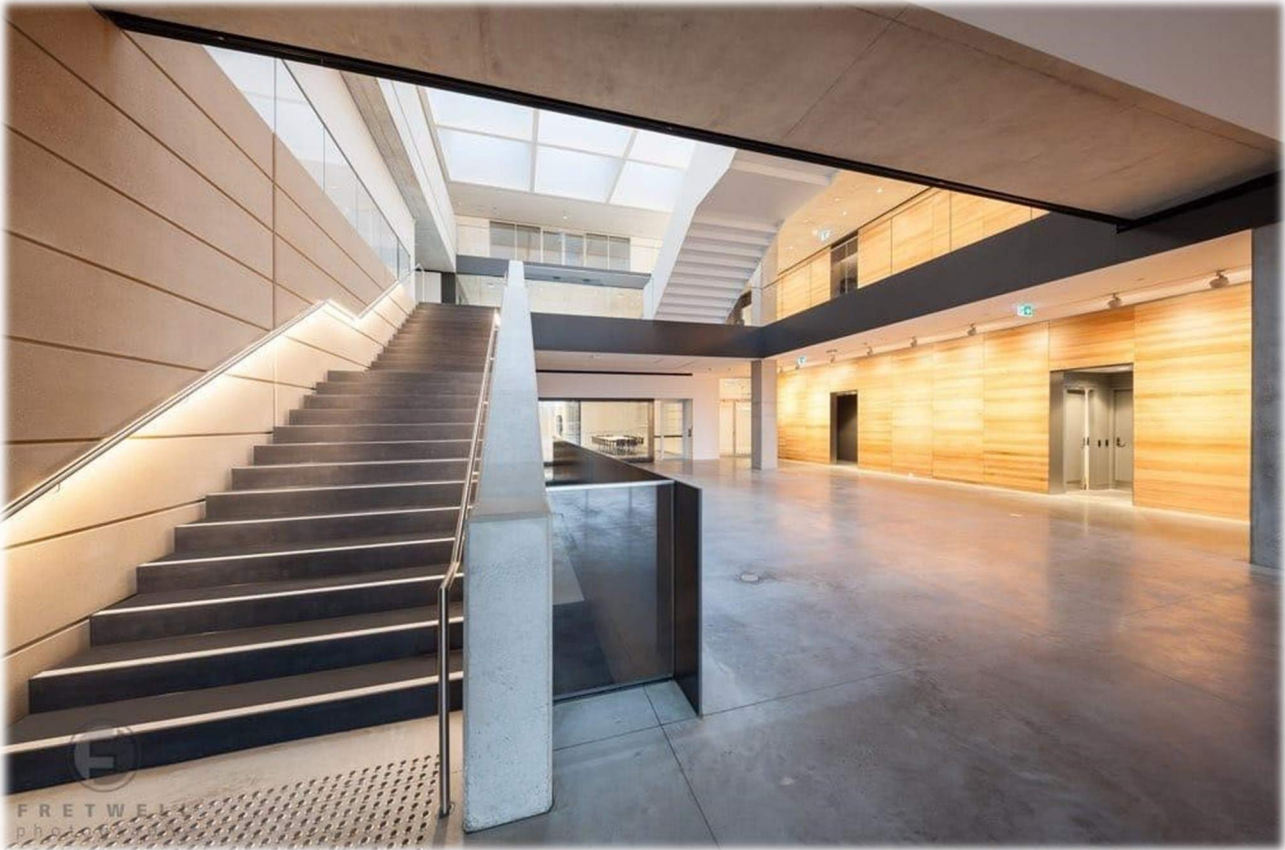




ILLUMINATED LED HANDRAIL COMPONENTRY



LIGHTRAIL SS38 COMPONENTRY – MECHANICAL



Chau Chak Museum

TOP RAIL 316 SS



SS38.48S	Stainless steel slotted tube satin 4.8m suit Lightrail 1414
SS38.36S	Stainless steel slotted tube satin 3.6m suit Lightrail 1414
SS38.24S	Stainless steel slotted tube satin 2.4m suit Lightrail 1414
SS38.12S	Stainless steel slotted tube satin 1.2m suit Lightrail 1414

NON ILLUMINATED RAIL 316 SS



SS38T.48S	Stainless steel tube satin 4.8m
SS38.36TS	Stainless steel tube satin 3.6m
SS38.24TS	Stainless steel tube satin 2.4m
SS38.12TS	Stainless steel tube satin 1.2m

Rails also available in polished on request

MECHANICAL ACCESSORIES



SS38-E90RS	316 SS radius elbow 90deg satin suit Lightrail SS38
SS38-E90RP	316 SS radius elbow 90deg polished suit Lightrail SS38



SS38-E90MS	316 SS mitred elbow 90deg satin suit Lightrail SS38
SS38-E90MP	316 SS mitred elbow 90deg polished suit Lightrail SS38



SS38-JSD	Stainless steel joiner satin suit Lightrail SS38
SS38-JPD	Stainless steel joiner polished suit Lightrail SS38



SS38-ECSD	Stainless steel send cap satin suit Lightrail SS38
SS38-ECPD	Stainless steel send cap polished suit Lightrail SS38



SS38-PTSFS	Post top stem fixed 316 SS satin
------------	----------------------------------

SS38-PTSAS	Post top stem adjustable 316 SS satin
------------	---------------------------------------

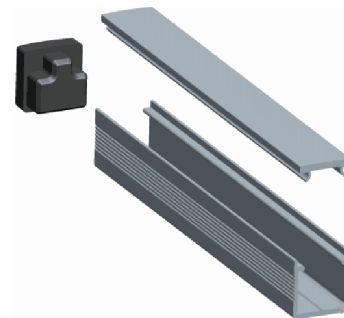
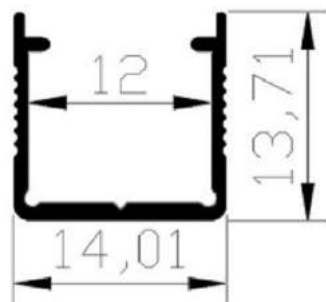


SS38-180S	SS316 180 deg return end satin
-----------	--------------------------------

SS38-180P	SS316 180 deg return end polished
-----------	-----------------------------------

LIGHTRAIL 1414 LED PROFILE INSERT

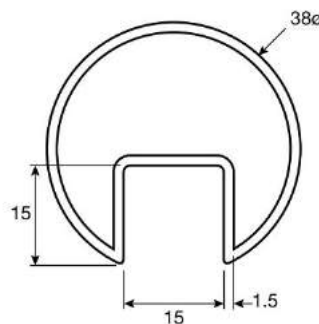
In 2008 the first Lightrail LED handrail system was made from custom aluminium tube. From there the demand for a stainless steel LED handrail began to grow and as a result the Lightrail 1414 LED profile insert was created.



The 1414 is designed to fit inside stainless steel tube or any system with a 15x15mm slot which enables the supply of LED handrail as componentry only.

The componentry only option immediately eliminates the need for a specific installation team and allows the builder to use their own contractors which not only reduces costs but also lead times.

This profile can accommodate LED strips with PCB up to 10mm wide , has a vandal resistant polycarbonate diffuser and is rated at IP54 with sealed end caps. When used in conjunction with Lightrail LED strips of 120 LED/m or more, a clean, dot free, continuous lighting effect is achieved.





LIGHTRAIL SS38 COMPONENTRY – BRACKETS

A large range of brackets are now available for all Lightrail systems. These include models such as Albion, Chifley, Dalton and Vito brackets, all of which are made from 316 grade stainless steel and are available in a range of different finishes. The Albion and Chifley brackets in both solid and hollow versions are supplied with the unique design 1414 fixing block to enable continuous dot free LED solutions



ALBION



SSABS	Albion bracket solid 316 stainless steel (satin)
SSABH	Albion bracket hollow 316 stainless steel (satin)



SSABS-MB	Albion bracket solid 316 stainless steel matt black
SSABH-MB	Albion bracket hollow 316 stainless steel matt black



SSABS-SB	Albion bracket solid 316 stainless steel satin brass
SSABH-SB	Albion bracket hollow 316 stainless steel satin brass

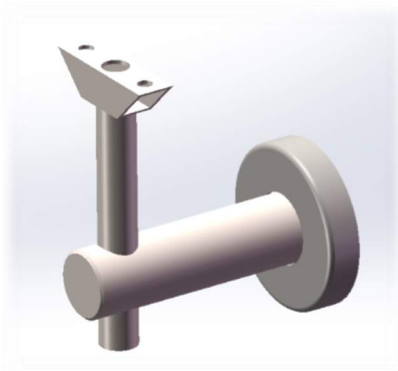


SSABS-BZ	Albion bracket solid 316 stainless steel satin bronze
SSABH-BZ	Albion bracket hollow 316 stainless steel satin bronze



SSABS-MW	Albion bracket solid 316 stainless steel matt white
SSABH-MW	Albion bracket hollow 316 stainless steel matt white





**CHIFLEY
ADJUSTABLE**



SSCBS	Chifley bracket solid 316 stainless steel (satin)
SSCBH	Chifley bracket hollow 316 stainless steel (satin)



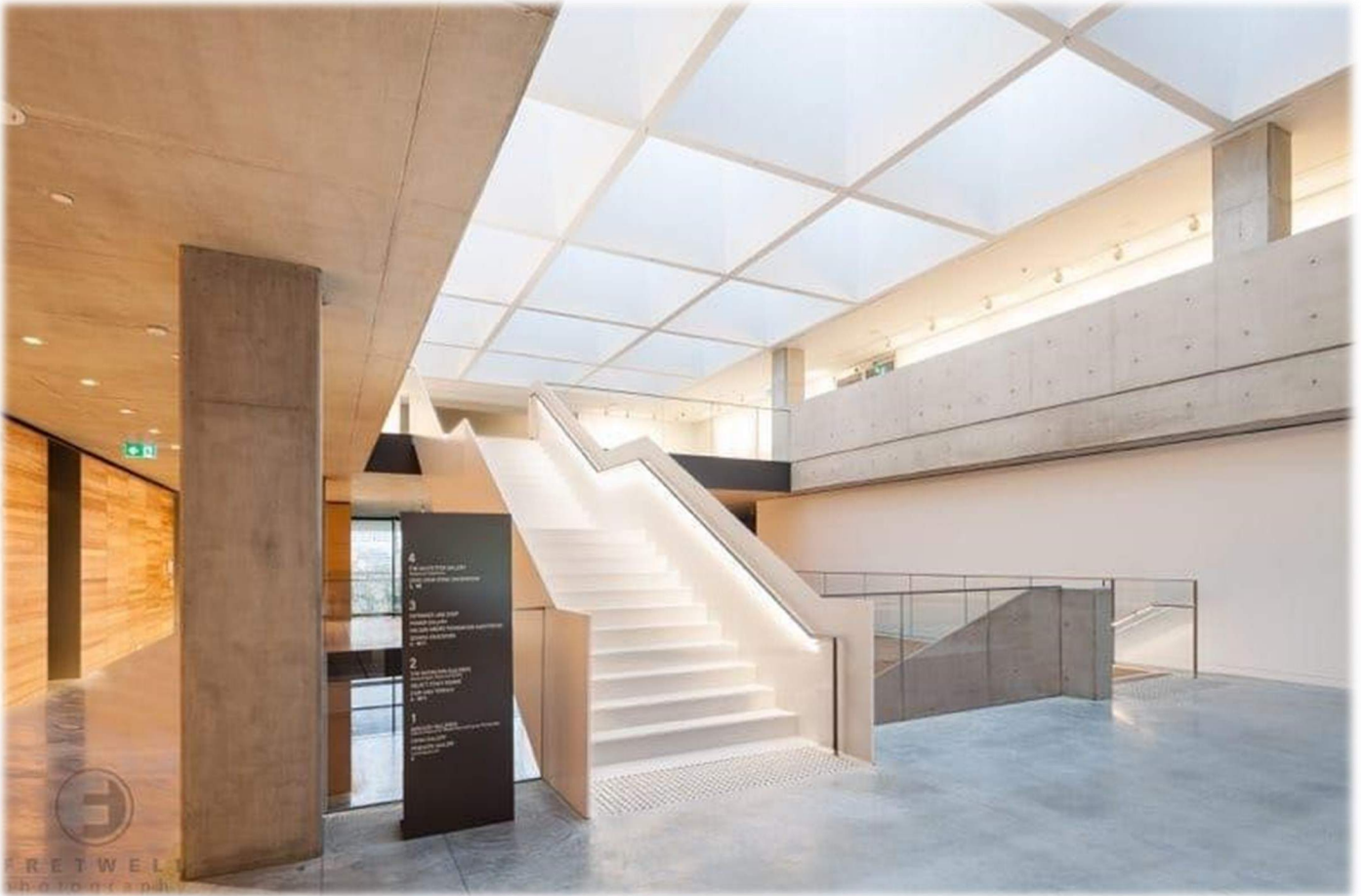
SSCBS-MB	Chifley bracket solid 316 stainless—matt black
SSCBH-MB	Chifley bracket hollow 316 stainless steel—matt black

DALTON—TILT

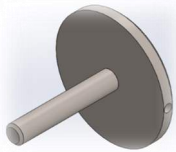


SSDBS	Dalton bracket solid 304 stainless (for tilting rail)
SSDBH	Dalton bracket hollow 304 stainless (for tilting rail)

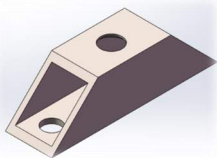
Note: Dalton hollow bracket is not load bearing



BRACKET ACCESSORIES



SSGACA	Glass adaptor suit Lightrail Albion and Chifley brackets
SSGACA-MB	Glass adaptor matt black suit Lightrail Albion & Chifley

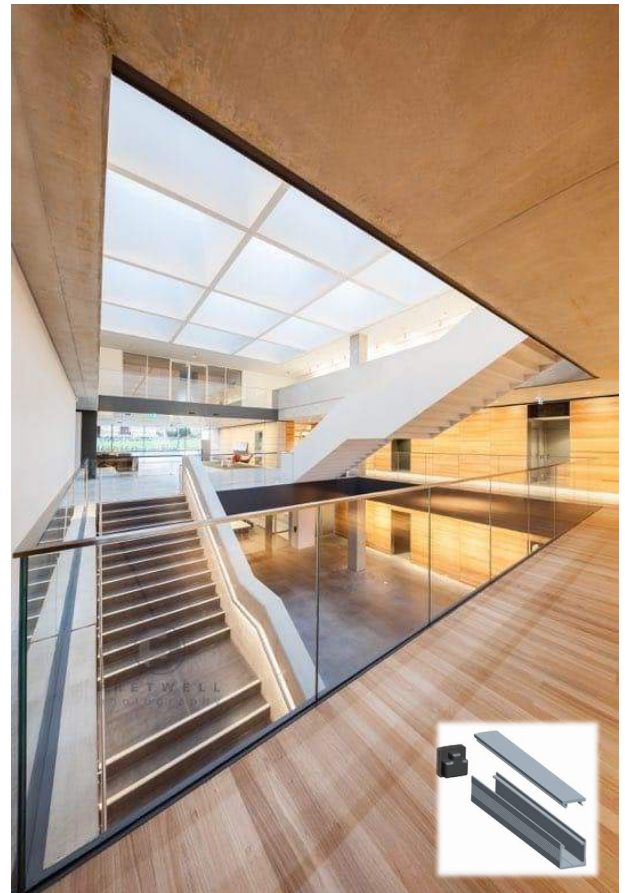
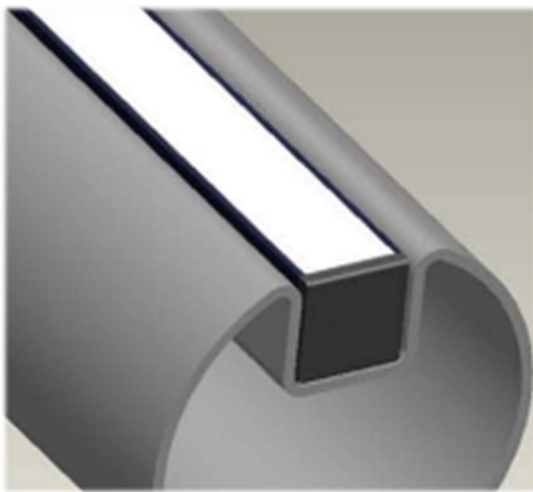
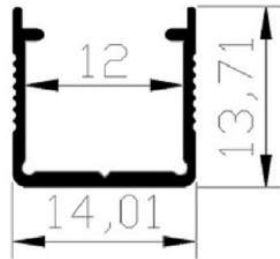


1414MB	1414 Fixing block supplied with Albion and Chifley brackets
---------------	--



SSABCHS-SS38	Curved saddle satin suit Albion and Chifley brackets
---------------------	---

1414 LED PROFILE—HANDRAIL INSERT



1414.1200	LED profile insert 14x14x1200mm single piece
1414.K4.1200	LED profile insert 14x14x1200mm (4 pack)
1414E.K10.1200	LED profile insert 14x14x1200mm (10 pack)

1414.2400	LED profile insert 14x14x2400mm single piece
1414.K4.2400	LED profile insert 14x14x2400mm (4 pack)
1414E.K10.2400	LED profile insert 14x14x2400mm (10 pack)

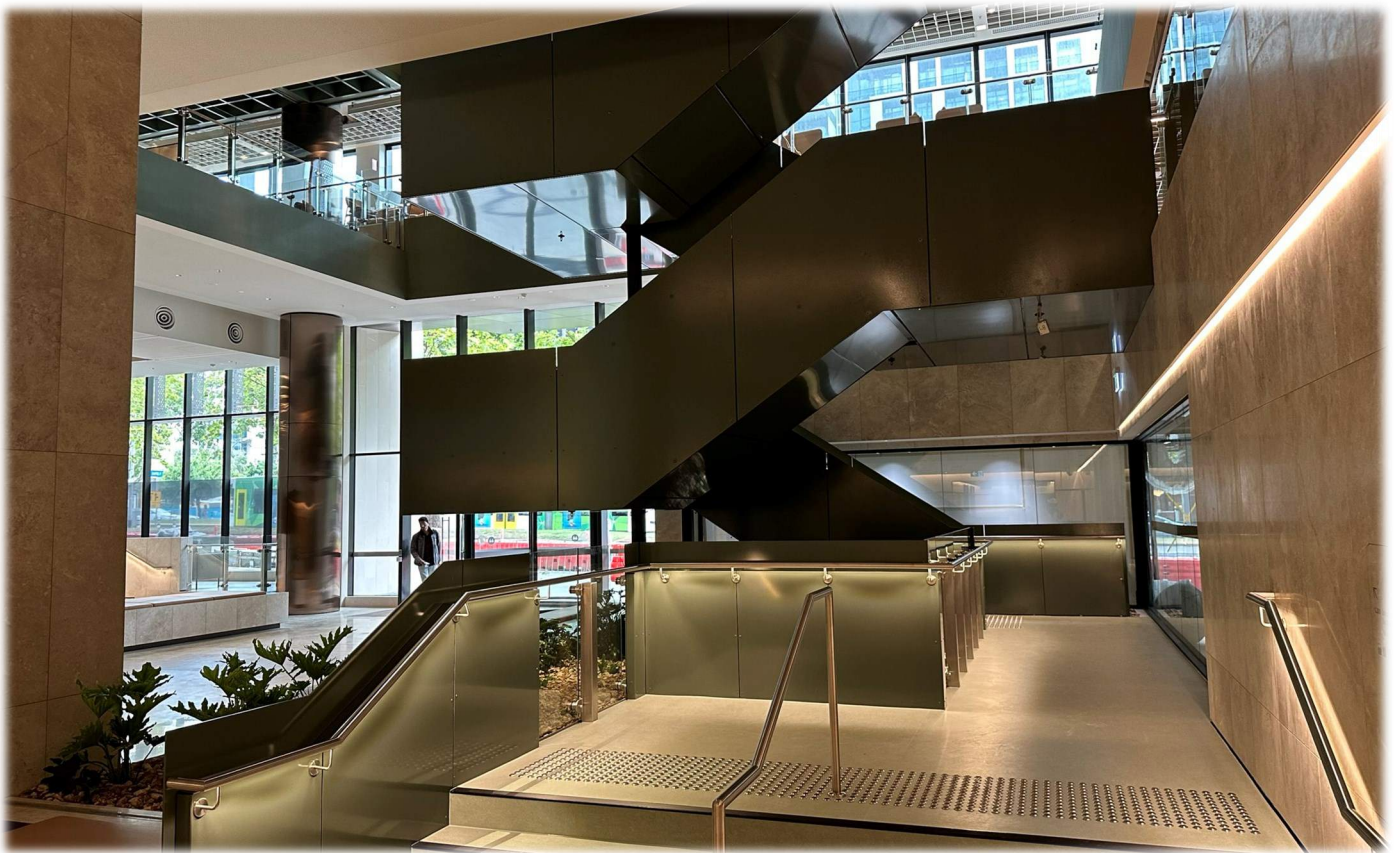
SAMSUNG BLACKLINE SERIES LED



For commercial projects you can feel comfortable that the Lightrail Samsung Blackline series LED strip will provide light levels required with high efficiency of around 125lm/w .

This high quality LED chip is only run at around one third of its capacity which is peace of mind for long operating hours and maximum stability. The IC control integration enables a run of up to 25m powered from one end which reduces the need for LED drivers, excessive power entry points. and also reduces labour costs for installation.

Available in IP20, IP65 and IP68 versions. Note that IP65 and above max length is 10m



SAMSUNG BLACKLINE SERIES



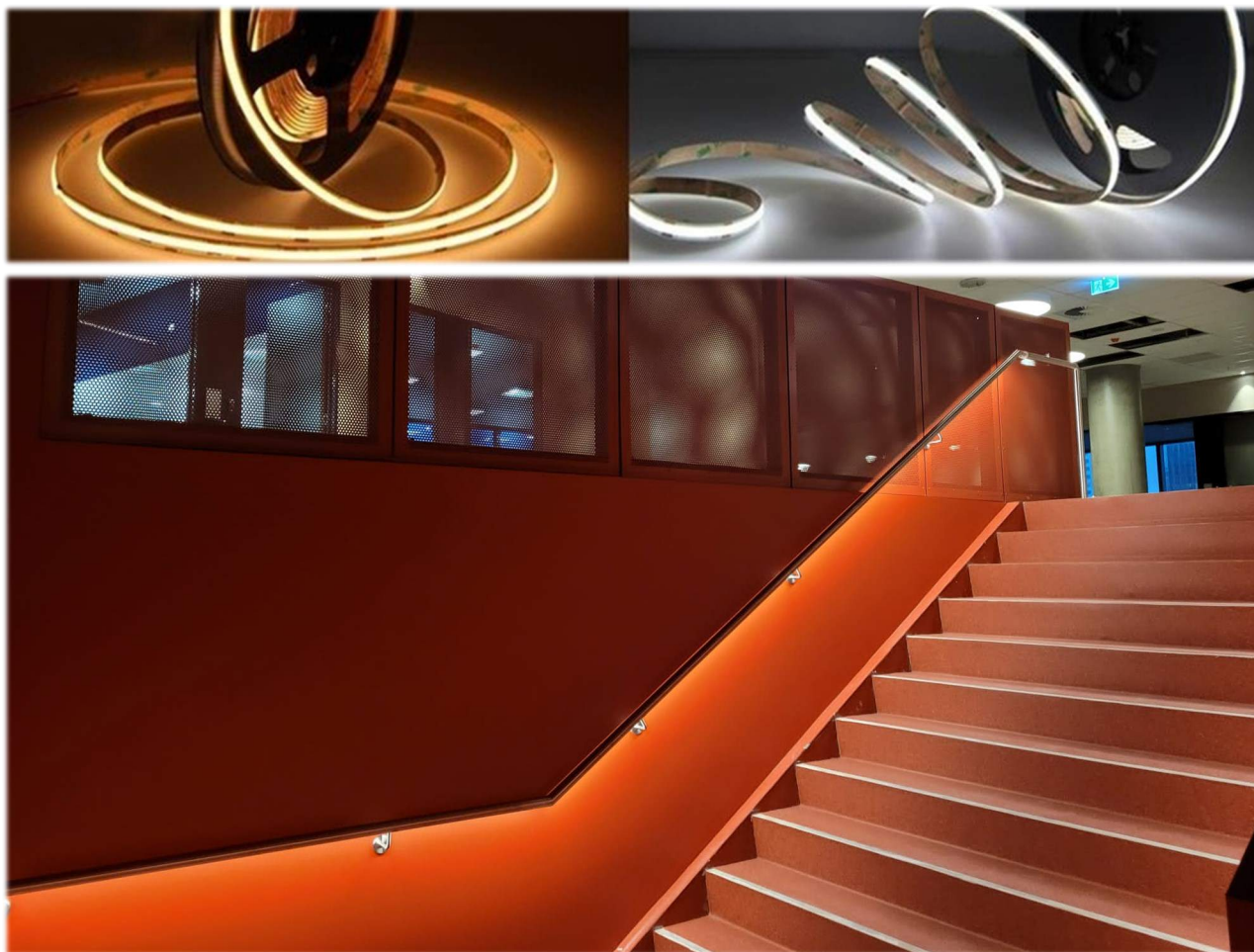
CODE	V	W	LED/m	COL TEMP	LUMEN/M	MAX LENGTH
BL68.27K	24	6.8	120	2700K	802	25m
BL68.3K	24	6.8	120	3000K	816	25m
BL68.4K	24	6.8	120	4000K	884	25m
BL68.6K	24	6.8	120	6000K	884	25m

CODE	V	W	LED/m	COL TEMP	LUMEN/M	MAX LENGTH
BL11.27K	24	11	120	2700K	1298	20m
BL11.3K	24	11	120	3000K	1320	20m
BL11.4K	24	11	120	4000K	1430	20m
BL11.6K	24	11	120	6000K	1430	20m

CODE	V	W	LED/m	COL TEMP	LUMEN/M	MAX LENGTH
BL15.27K	24	15	120	2700K	1770	15m
BL15.3K	24	15	120	3000K	1800	15m
BL15.4K	24	15	120	4000K	1950	15m
BL15.6K	24	15	120	6000K	1950	15m

COB LONG RUN SERIES LED

For domestic projects the use of COB480 LED strip is the perfect choice for a “not too bright” but “not too low” light level. This option is also used in commercial applications when the LED handrail is used for effect only or where the handrail is not the primary source of light. This LED strip now has IC control integrated to the LED chip enabling a run of up to 15m powered from one end which reduces the need for LED drivers and power entry points.



CODE	V	W	LED/m	COL TEMP	Approx LUMEN/M	MAX LENGTH
COB480.96.27K	24	9	480	2700K	720	15m
COB480.96.3K	24	9	480	3000K	768	15m
COB480.96.4K	24	9	480	4000K	816	15m
COB480.96.3K	24	9	480	3000K	864	15m

LED DRIVERS

Lightrail adopts the use of well known brands for LED drivers such Meanwell, Powersource , Osram and Tridonic LED drivers

These are available in a range of options including phase cut dim, DALI dim, 1-10v dim & non dim economy versions. Some models carry a 7 year warranty.

Please visit the Lightrail website for a full overview of available LED drivers

All drivers listed below are NOT load dependant

DALI DIM

CODE	V	W	IP	DECSRIPTION
D24-60-DA-PWM	24	60	67	24V CONSTANT VOLTAGE DALI DIM 60W
D24-90-DA-PWM	24	90	67	24V CONSTANT VOLTAGE DALI DIM 90W
D24-90-DA-PWM	24	120	67	24V CONSTANT VOLTAGE DALI DIM 120W
D24-90-DA-PWM	24	200	67	24V CONSTANT VOLTAGE DALI DIM 200W

PHASE CUT 240V DIM

CODE	V	W	IP	DECSRIPTION
D24-30-PDV	24	30	67	24V CONSTANT VOLTAGE DALI DIM 30W
D24-75-PDV	24	75	67	24V CONSTANT VOLTAGE DALI DIM 75W
D24-100-PDV	24	100	67	24V CONSTANT VOLTAGE DALI DIM 100W
D24-150-PDV	24	150	67	24V CONSTANT VOLTAGE DALI DIM 150W
D24-200-PDV	24	200	67	24V CONSTANT VOLTAGE DALI DIM 200W
D24-300-PDV	24	300	67	24V CONSTANT VOLTAGE DALI DIM 300W
D24-360-PDV	24	360	67	24V CONSTANT VOLTAGE DALI DIM 360W