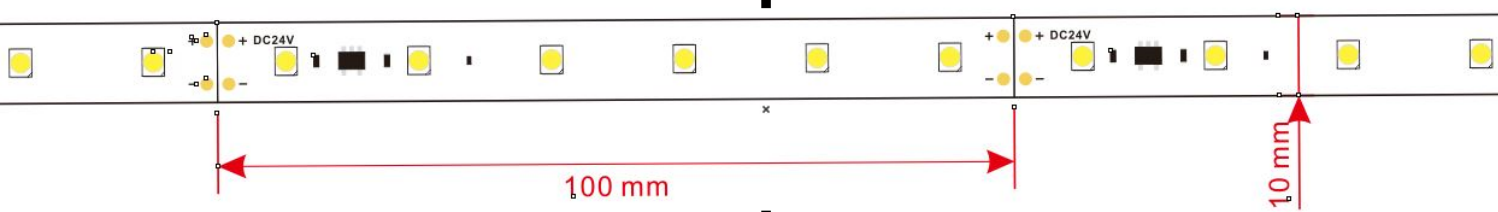
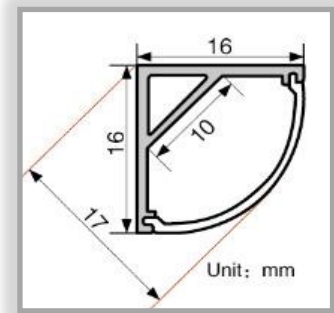


OSRAM LED

LONG LENGTH 30M



- OSRAM 2835 CHIP RATED AT 60mA RUN AT 20mA
- CRI >80
- 100mm CUT
- 24V / 4.8W/M / 123lm/W
- 30m RUN OK POWERED ONE END
- 60m RUN OK POWERED BOTH ENDS



CODE	V	W	LED/m	COL TEMP	Approx LUMEN/M	MAX LENGTH
MXB60-27K	24	4.8	60	2700K	560	30m
MXB60-3K	24	4.8	60	3000K	570	30m
MXB60-4K	24	4.8	60	4000K	590	30m
MXB60-65K	24	4.8	60	6500K	610	30m

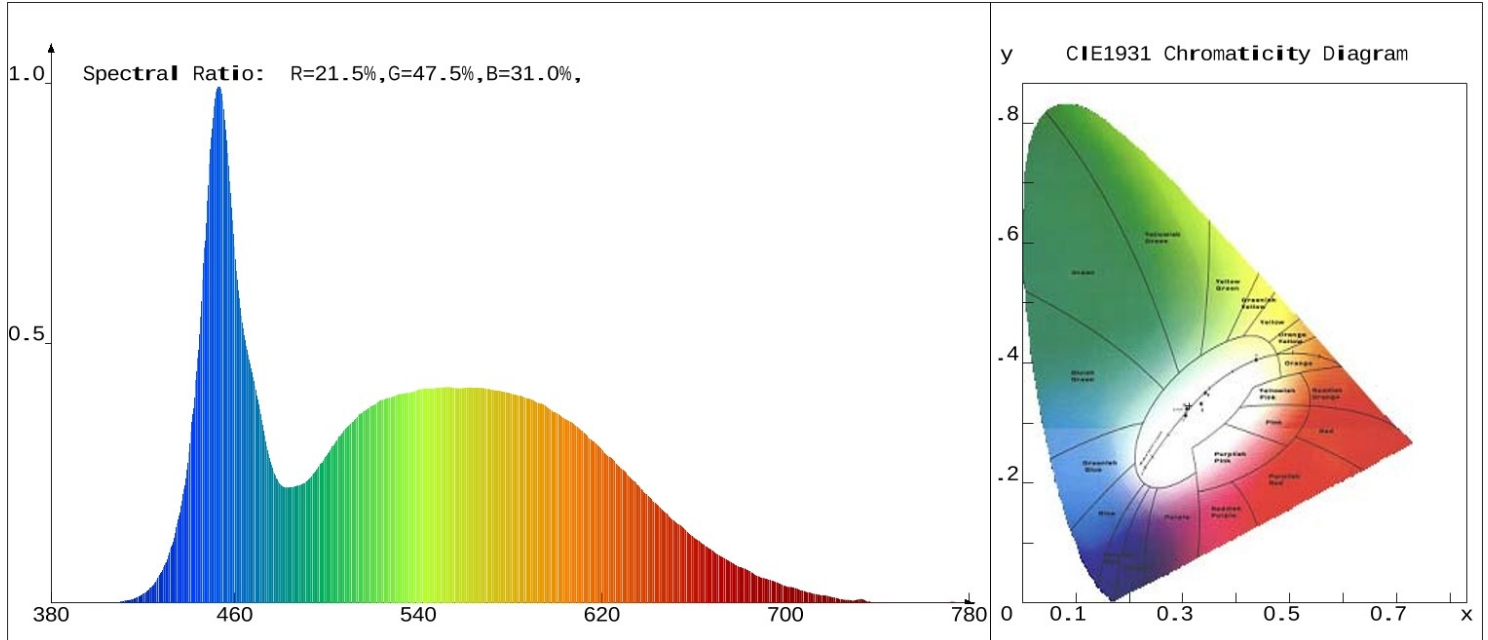
Product Mark

Product Type : MXB60DL65K
 Temperature : 30°C

Manufacturer : Light rail
 Humidity : 65%

Operator :
 Remark:

Test Date : 2019-10-15 20:11:46



Chroma Parameters

Chro.Coord.: x=0.3116 y=0.3281 u=0.1974 v=0.3118 duv=0.0033
 CCT: 6572K Dominant Wave.: 488.6nm Purity: 7.7%
 Flux RGB Ratio: R=13.5%, G=82.2%, B=4.3% Peak Wave: 453.3nm Half Width: 20.8nm

Rendering Index: Ra= 84.0

R1 =82	R2 =90	R3 =92	R4 =83	R5 =83	R6 =84	R7 =88	R8 =71
R9 =13	R10=74	R11=82	R12=55	R13=85	R14=96	R15=78	

Photo Parameters

Flux: 626.77lm Effi.: 122.9lm/W Radiant: 2047.3mW Iv: 0.0mcd
 Efficiency: 0.097 Effi Level: A++ (EU 874-2012)

Ele. Parameters

Voltage: U=24.000V Current: I=0.2120A
 Power: P=5.10W Power Factor: PF=1.000

Instrument state

VDark: 1248 Integral Time: 52.050ms VPeak: 13417
 Scan Range: 380-780nm Product ID: 201602048

Chromaticity Coordinate Groups 5) page 24 Farbortgruppen 5) Seite 24

