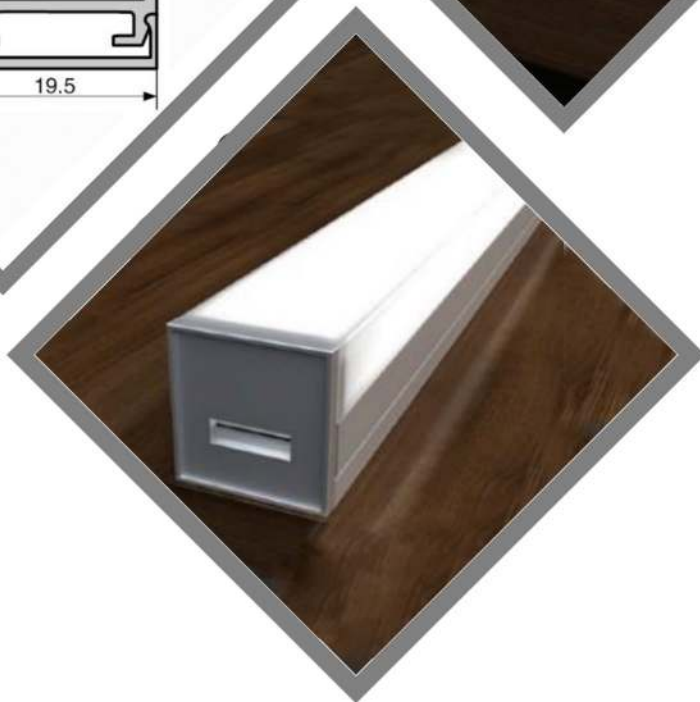
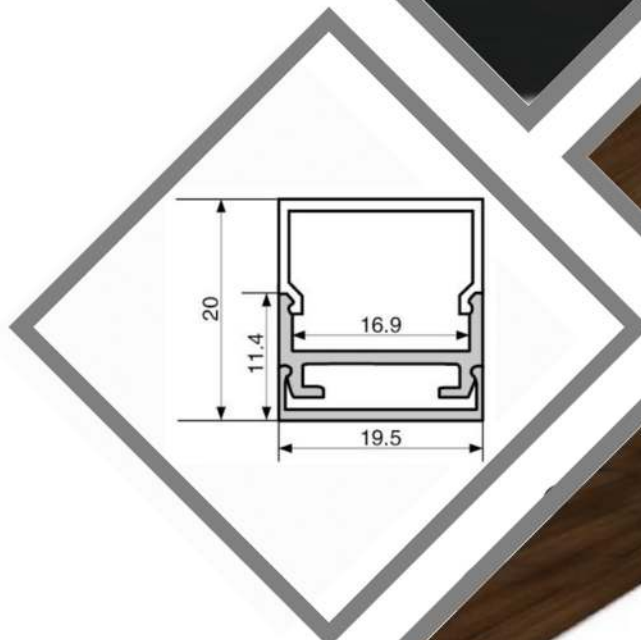


- Extruded natural anodized aluminium profile to suit Lightrail compatible LED strips
- Opal or clear polycarbonate diffuser with 83% emittance
- Custom made or supplied in standard 2500mm lengths
- Available in IP65 factory fit



ALUMINUM

Microns:

Al: 98

Si: 0.20~0.6

Cu: <0.10

Mg: 0.45~0.9

Zn: <0.10

Mn: <0.10

Ti: <0.10

CrL <0.10

FeL 0.000~0.350

For compatible LED strips please contact the office or visit

www.lightrail.net.au

POLYCARBONATE

Flammability	Value	Test Method
Flame Rating 1.50 mm, ALL 3.00 mm, ALL 6.00 mm, ALL 0.400 mm, ALL 0.840 mm, ALL	HB HB HB V-2 V-2	UL 94
Flammability Classification 3.00 mm, ALL 6.00 mm, ALL 1.50 mm, ALL 0.400 mm, ALL 0.840 mm, ALL	HB40 HB40 HB40 V-2 V-2	IEC 60695-11-10, -20
Electrical	Value	Test Method
Hot-wire Ignition (HWI) 0.400 mm 0.840 mm 1.50 mm 3.00 mm 6.00 mm	PLC 4 PLC 4 PLC 4 PLC 1 PLC 1	UL 746
High Amp Arc Ignition (HAI) 0.400 mm 0.840 mm 1.50 mm 3.00 mm 6.00 mm	PLC 3 PLC 3 PLC 0 PLC 0 PLC 0	UL 746
Comparative Tracking Index (CTI)	PLC 2	UL 746
Dielectric Strength	24 kV/mm	ASTM D149
High Voltage Arc Tracking Rate (HVTR)	PLC 4	UL 746
Volume Resistivity	1.0E+16 ohms-cm	ASTM D257
Volume Resistivity	1.0E+16 ohms-cm	IEC 60093
Arc Resistance	PLC 5	ASTM D495
Electric Strength	24 kV/mm	IEC 60243-1
Thermal	Value	Test Method
RTI Elec 0.400 mm 0.840 mm 1.50 mm 3.00 mm 6.00 mm	80.0°C 80.0°C 125.0°C 125.0°C 125.0°C	UL746
RTI Imp 0.400 mm 0.840 mm 1.50 mm 3.00 mm 6.00 mm	80.0°C 80.0°C 125.0°C 125.0°C 125.0°C	UL746
RTI Str 0.400 mm 0.840 mm 1.50 mm 3.00 mm 6.00 mm	80.0°C 80.0°C 125.0°C 125.0°C 125.0°C	UL746
Physical	Value	Test Method
Dimensional Stability	0.0%	ASTM D1042
Dimensional Stability	0.0%	ISO 2796
Outdoor Suitability	f1	UL 746C